

# MODULAR AMBIENT AIR QUALITY MONITOR

SKU: MAQM

MODULAR AMBIENT AIR QUALITY MONITOR  
MAQM



MAQM-H1.JPG

MAQM is an outdoor ambient air quality monitor with a modular design and smart features. With ModbusRTU or ModbusTCP connection, it can be easily integrated into your existing BMS, PLC, SCADA system in your facility. With Wifi, Ethernet or NB-IoT version, it can connect to Globiots platform or any IoT platform for remote monitoring and data analysis. For Sigfox and LoRaWAN versions, customers can connect to Sigfox network or any LoRaWAN Network Server. Customers can choose different types of sensors to integrate into the main device such as temperature, humidity, noise, PM1.0, PM2.5, PM10, NO2...

This MAQM is used in office buildings, schools, hospitals, factories, warehouses, laboratories, construction sites... or any facility.



## MODULAR DESIGN

Customers can choose from different measurement modules such as temperature, humidity, noise, PM1.0, PM2.5, PM10, and NO2...



## MULTI-CONNECTION

Supports many different connection standards such as LoRaWAN, Sigfox, NB-IoT, Cat M1, RS485, WiFi, and Ethernet.



## USE OF SOLAR ENERGY

Use Solar panel together with rechargeable batteries.



## FOR OUTDOOR

Designed to be installed both indoors and outdoors

MODULAR AMBIENT AIR QUALITY MONITOR  
MAQM-MAX



MAQM-H2.JPG

## DAVITEQ TECHNOLOGIES INC

No.11 Street 2G, Nam Hung Vuong Res., An Lac Ward, Binh Tan Dist., Ho Chi Minh City, Vietnam

+84.28.6268.2523 / 6268.2524

info@daviteq.com

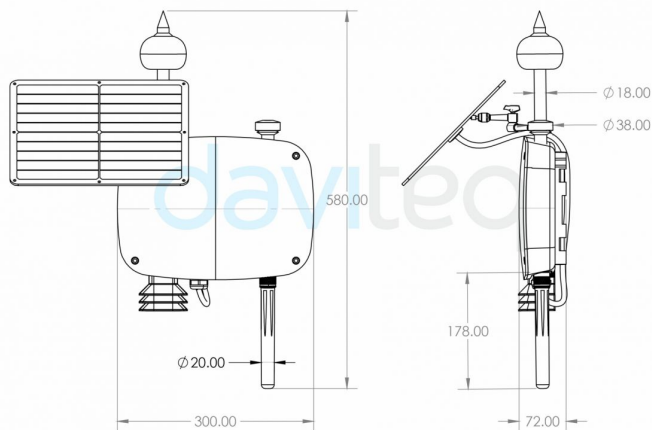
www.daviteq.com

DEC-2022 | Doc No: MAQM-DS-EN-10

**SPECIFICATION**

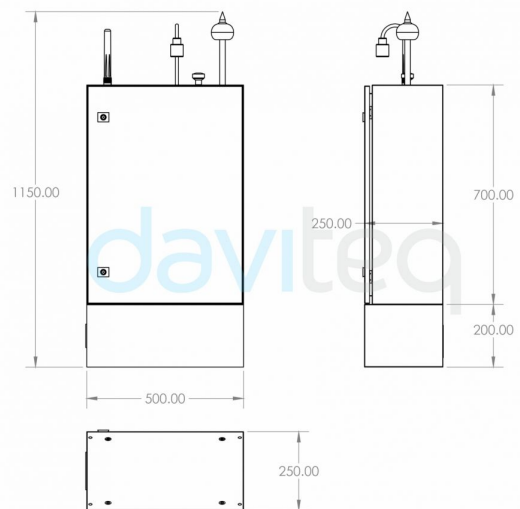
Sensor parameters	<a href="#">Refer to this link</a>
Connection selection	Sigfox RC1, RC2, RC3c, RC4 LoRaWAN Multi-Band Worldwide RS485 ModbusRTU WiFi 2.4GHz Ethernet 10Mbps
Working temperature	-35 .. +60 oC
Working humidity	5 .. 95% RH
Housing	Powder coated aluminum housing, IP66 for MAQM, Powder coated steel housing, IP65 for MAQM-MAX
Thermal Management System	Yes for MAQM-MAX only
Embedded Computer	Yes for MAQM-MAX only, with embedded Globiots Software for Data Storage/Logging, Visualization, Reporting and Remote management
Gas Sampling Pump	Yes, for MAQM-MAX only
Gas Diffusion method	Yes, for MAQM only
Dust sampling pump	Yes, max 5.5 LPM
Power	9..36VDC with rechargeable battery (8 x Panasonic Eneloop Standard tablets, customer supplied) for MAQM, and 100-240VAC for MAQM-MAX
Dimensions	580x300x72mm for MAQM, 900x500x250 for MAQM-MAX
Net weight	< 3 kgs for MAQM, < 25 kgs for MAQM-MAX
Mounting	Pole mounting, Wall mounting or Tripod mounting accessories come as standard.

**DIMENSION DRAWING MAQM**  
(Unit: mm)



MAQM-H3.JPG

**DIMENSION DRAWING MAQM-MAX**  
(Unit: mm)



MAQM-H4.JPG

## ORDERING INFORMATION

MAQM-LRW-01S	Modular outdoor ambient air quality monitor, multi-band LoRaWAN, 9..36VDC power supply, holders for 8 rechargeable AA 1.2V batteries
MAQM-MAX-01	Modular Full Featured ambient air quality monitor, Ethernet, LTE Cat 4, 100-240VAC supply, thermal management system, IP65
Select at least one sensor module as follows	
MBRTU-ATH-11IR	Outdoor temperature and humidity sensor, with rain-guard
MBRTU-SL-01	Noise sensor, 30-130 db(A)
MBRTU-OPC-02I	Outdoor Dust Sensor PM1-PM2.5-PM10
MAX-O3-C5	Ozone gas module 0-5PPM for MAQM-MAX
MAX-NO2-C20	NO2 gas module 0-20PPM for MAQM-MAX
MAX-CO-C1000	CO gas module 0-1000PPM for MAQM-MAX
MAX-SO2-C20	SO2 gas module 0-20PPM for MAQM-MAX
MAX-CO2-LP5000	CO2 gas module 0-5000PPM for MAQM-MAX
MAX-OPC-N3	Particle Profiler Module N3 for MAQM-MAX
Accessories	
SOLAR-PN-9W18V-ETFE-01	Solar panels, type 9W 18V, ETFE coated, lifespan 5-7 years, M12-F connector with mounting accessories for MAQM

## DAVITEQ TECHNOLOGIES INC