

WIRELESS 3-AXIS TILT SENSOR

daviteq

SKU: WS433-AG

WIRELESS 3-AXIS TILT SENSOR WS433-AG

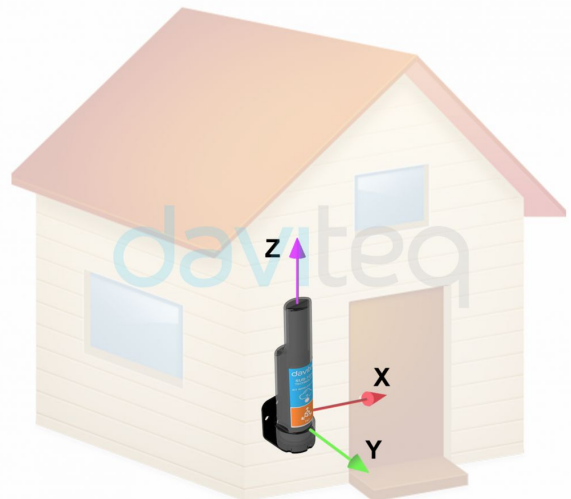


WS433-AG-H1.PNG

WS433-AG is a wireless Tilt Sensor, can be used to measure 3 tilt angles X, Y, Z of any object as Tower, Building, Tree, Electricity Tower, Telecom Tower, Bridges... The Tilt sensor utilizes the combination of advanced Accelerometer and Gyro meter to deliver high accuracy and stable measurement of Tilt angle of 03 axis X,Y,Z. It will connect 2-way wirelessly to the wireless co-ordinator WS433-CL to send data and receiving the configuration. It can be configured the operation parameters like data sending interval, health check cycle...remotely from Globiots platform or via ModbusRTU software (thru the WS433-CL). Its default data rate is 50 kbps, can be switched to 625 bps to increase the communication range. The sensor can last up to 10 years with 1 x AA battery. Typical Applications: Telecommunication Tower, Electricity Tower, Building, ...

- ✓ **RELIABLE & SECURED WIRELESS CONNECTION**
Sub-Ghz technology from Texas Instruments allows reliable wireless connection and secured data by AES-128
- ✓ **ULTRA-LOW POWER WITH 5 YEARS BATTERY**
Ultra-low power sensing technology from Daviteq with Ultra-low power wireless technology from Texas Instruments allow the sensor can last up to 5 years
- ✓ **HIGH ACCURACY & STABLE**
Advanced Accelerometer with Gyro meter to deliver high accuracy and stable measurement of Tilt angle of 03 axis X,Y,Z;
- ✓ **IP67**
For both indoor and outdoor applications

TILT SENSOR INSTALLED ON THE WALL



WS433-AG-H2.PNG

DAVITEQ TECHNOLOGIES INC

No.11 Street 2G, Nam Hung Vuong Res., An Lac Ward, Binh Tan Dist., Ho Chi Minh City, Vietnam
+84.28.6268.2523 / 6268.2524
info@daviteq.com www.daviteq.com

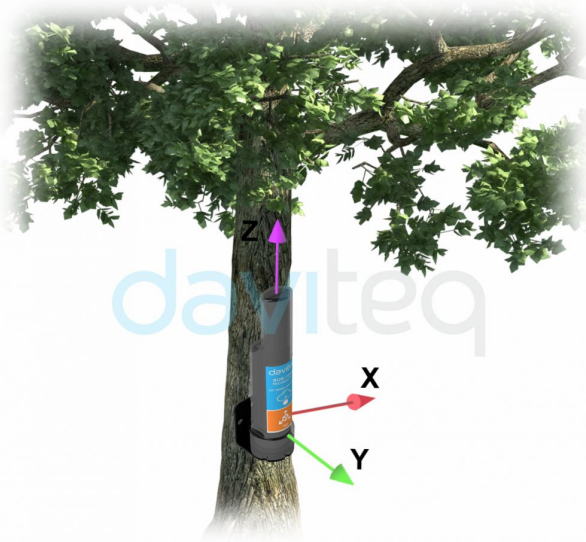
OCT-2021 | Doc No: WS433-AG-DS-EN-10

1/4

SPECIFICATION

SENSOR SPECIFICATION	
Tilt Sensor	Built-in advanced accelerometer and gyro meter to deliver tilt angle measurement of X, Y, Z
Measurement range	$\pm 90^\circ$ of XYZ
Repeatability	$\pm 0.25^\circ$
Sensor sampling rate	1Hz max
WIRELESS SPECIFICATION	
Data speed	Up to 50kbps
Transmission distance, LOS	LOS 500m
Antenna	Internal Antenna, 3 dbi
Battery	01 x AA 1.5-3.6VDC, up to 10 years operation, depends on the configuration
Frequency Band	ISM 433MHz, Sub-GHz technology from Texas Instrument, USA
International Compliance	ETSI EN 300 220, EN 303 204 (Europe) FCC CFR47 Part15 (US), ARIB STD-T108 (Japan)
Vietnam Type Approval Certification	QCVN 73:2013/BTTTT, QCVN 96:2015/BTTTT (DAVITEQ B00122019)
Security Standard	AES-128
Operating temperature of PCB	$-40^\circ\text{C}..+60^\circ\text{C}$ (with AA L91 Energizer)
Housing/Protection	Poly-carbonate, IP67
Mounting method	Mounting bracket for wall mount
Dimension	125x30x30mm
Net weight	60g

TILT SENSOR INSTALLED ON THE TREE



WS433-AG-H3.PNG

TILT SENSOR FOR CRANE MONITORING



WS433-AG-H4.PNG

DAVITEQ TECHNOLOGIES INC

No.11 Street 2G, Nam Hung Vuong Res., An Lac Ward, Binh Tan Dist., Ho Chi Minh City, Vietnam

+84.28.6268.2523 / 6268.2524

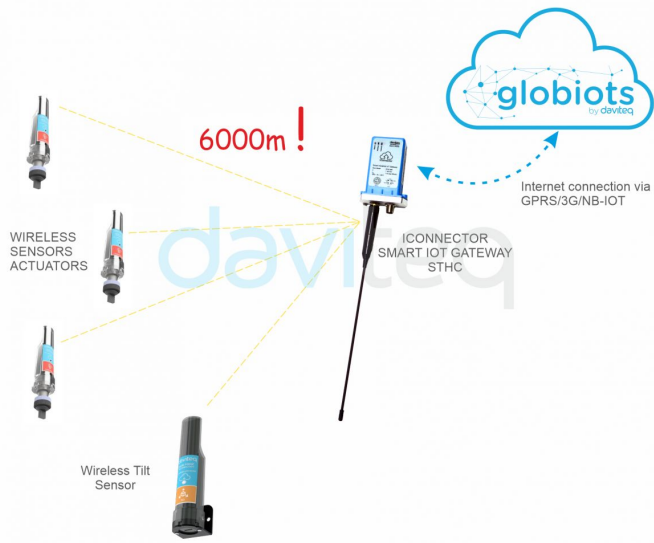
info@daviteq.com

www.daviteq.com

OCT-2021 | Doc No: WS433-AG-DS-EN-10

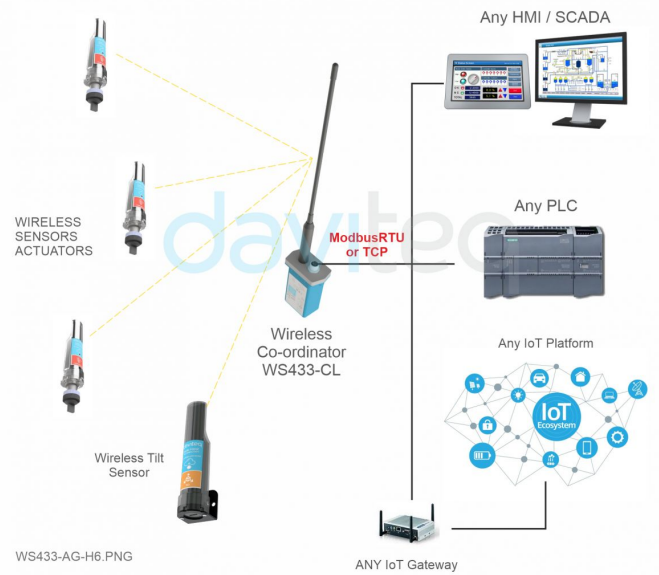
2/4

CONNECT WIRELESS SENSORS TO GLOBIOTS Platform



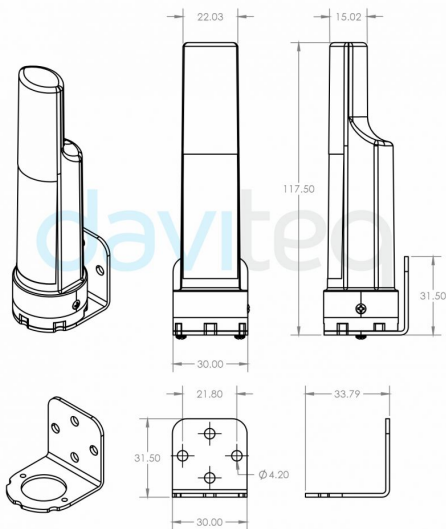
WS433-AG-H5.PNG

CONNECT WIRELESS SENSORS TO any PLC, HMI, SCADA or IoT Platform



WS433-AG-H6.PNG

DIMENSION DRAWING OF WIRELESS SENSOR (Unit: mm)



WS433-AG-H7.PNG

RECOMMENDED BATTERIES

E91 AA Alkaline battery



- 18 .. + 60 oC working temperature
- 10-year shelf life
- 3000 mAh Capacity
- Price: 1X

L91 AA Lithium battery



- 40 .. + 60 oC working temperature
- 20-year shelf life
- 3500 mAh Capacity
- Price: 3.5X

WS433-AG-H8.PNG

ORDERING INFORMATION

ITEM CODE	DESCRIPTIONS
WS433-AG-01	WIRELESS 3-AXIS TILT SENSOR 433MHZ, AA 1.5-3.6VDC BATTERY, IP67

DAVITEQ TECHNOLOGIES INC

No.11 Street 2G, Nam Hung Vuong Res., An Lac Ward, Binh Tan Dist., Ho Chi Minh City, Vietnam

+84.28.6268.2523 / 6268.2524

info@daviteq.com

www.daviteq.com

OCT-2021 | Doc No: WS433-AG-DS-EN-10