

Sigfox CO Sensor WSSFC-G4-CO

SKU: WSSFC-G4-CO

Doc No: WSSFC-G4-CO-DS-EN-10

Introduction

WSSFC-G4-CO is a Sigfox sensor with a built-in high performance electrochemical gas sensor to measure the concentration of Carbon Monoxide in the air. With Ultra-low power design and smart firmware allow the complete Wireless and Sensor package run on 2 x AA battery 1.5V for 2-5 years with 15 minutes update. It can support the following regions RC1, RC2, & RC4.

- High stability Electrochemical sensor ;
- Sigfox Ready;
- 2-5 years battery life with 15 minutes update;
- Plug & Play.

Typical Applications

- Monitor the concentration of Carbon Monoxide in the air.

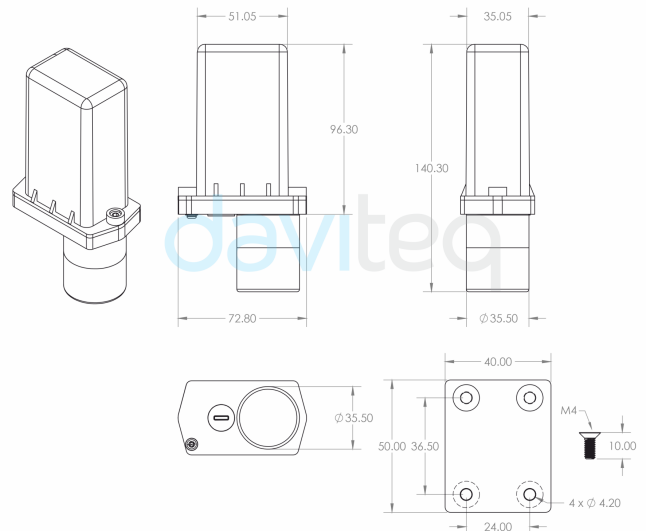
SIGFOX CO SENSOR
WSSFC-G4-CO



WSSFC-G4-CO-H1.PNG

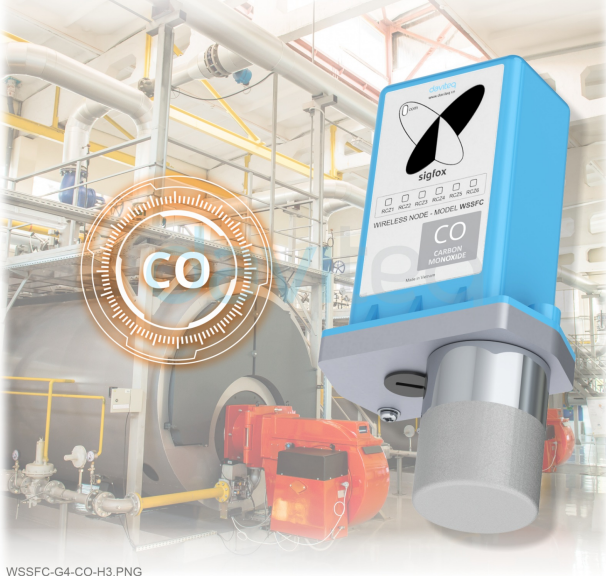


DIMENSION DRAWING OF WIRELESS SENSOR
(Unit: mm)



WSSFC-G4-CO-H1.PNG

Monitoring Carbon Monoxide in The Air



WSSFC-G4-CO-H3.PNG

Interfering Gas	Concentration [ppm]	Reading [ppm]
Aromatic Hydrocarbons		N.D.
H ₂	100	< 60
H ₂ S	20	0
NO	50	0
NO ₂	5	0
SO ₂	5	0

Specification

SENSOR SPECIFICATION	
Measurement Range	Select: 0 to 200, 500, 1000 or 2000 ppm
Detection Limit	1 ppb
Resolution	1 ppb
Repeatability	< ± 2 % of reading
Response Time	T(90) < 35 seconds
Expected Sensor Life	03 years in normal Air
Expected Long Term Output Drift in air	< 2 % signal loss per month
Operating Temperature Range	-40 to 50 °C
Operating Humidity Range	non-condensing 15 to 90% recommended continuous 0 to >95% RH - intermittent
SIGFOX SPECIFICATION	
Sigfox zones	select RC1-RC2-RC4
Antenna	Internal Antenna 2 dbi
Configuration	via Downlink or offline USB cable (PC software is supplied at free)
Battery	02 x AA Type 1.5VDC
RF Module complies to	CE, FCC, ARIB
Working temperature	-40°C..+60°C (using Energizer Lithium Ultimate AA battery)
Dimensions	H140xW73xD42
Net-weight	250 grams
Housing	Polycarbonate, IP67

Mounting	Wall mount bracket
----------	--------------------

Ordering Code

Item code	Descriptions
WSSFC-G4-CO-200-01	SIGFOX CARBON MONOXIDE GAS SENSOR, 0-200 PPM, 1PPB RESOLUTION, 4-SERIE, BATTERY AA 1.5V, IP67, FOR RC1-RC2-RC4 ZONES

⚠ Link for full datasheet: <https://filerun.daviteq.com/wl/?id=tPw2tEAxCL9vCbK7Vc46IGymbErkikEG>

⚠ Link for manual:

daviteq

Daviteq Technologies Inc



www.daviteq.com



info@daviteq.com