

LoRaWAN node with Digital Inputs WSLRW-DI

SKU: WSLRW-DI

Doc No: WSLRW-DI-DS-EN-10

Introduction

WSLRW-DI is a LoRaWAN node with digital inputs to detect logic status 0/1 OR counting pulses from the water meter, gas meter, power meter, proximity sensor, limit switch, machine output, pressure switch... Ultra-low-power design and smart firmware allow the sensor to run on a 2 x AA battery 1.5V for 10 years with one update per day. It can support all frequency regions in over the World.

- 1 Logic detecting or Pulse counting with non-volatile memory;
- 2 LoRaWAN Class A;
- 3 10 years of battery life with one update per day;
- 4 Plug & Play.

Typical Applications

- 1 Counting the output pulses from the water meter, gas meter, power meter...
- 2 Detect the logic status of the proximity sensor, limit switch, machine output, pressure switch...

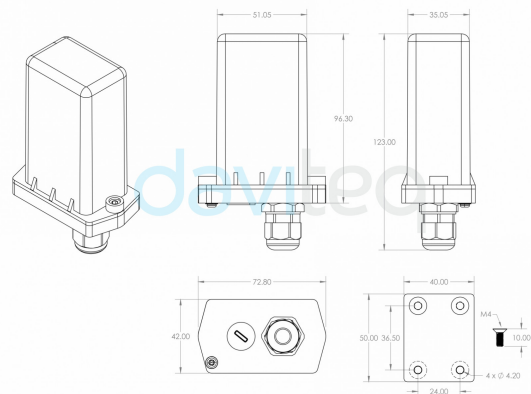
LoRaWAN NODE WITH DIGITAL INPUTS
WSLRW-DI

LoRaWAN



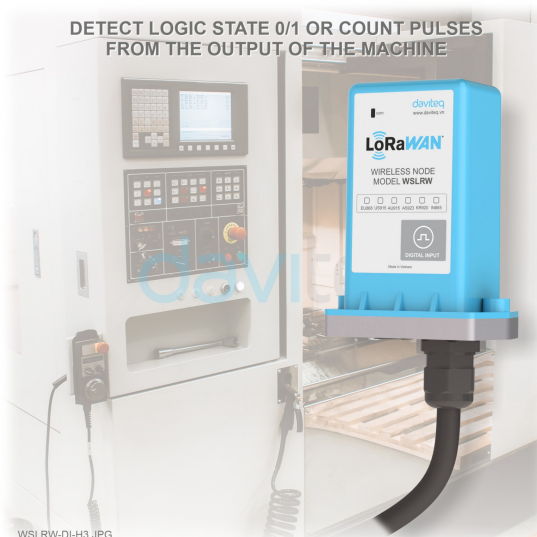
WSLRW-DI-H1.JPG

DIMENSION DRAWING OF SENSOR NODE
(Unit: mm)



WSLRW-DI-H2.JPG

DETECT LOGIC STATE 0/1 OR COUNT PULSES
FROM THE OUTPUT OF THE MACHINE



WSLRW-DI-H3.JPG

Specification

SENSOR SPECIFICATION	
Input	2 channel Digital inputs with dry-contact or voltage input (max 3.3VDC)
Functions	Logic Detecting or Pulse Counting
Logic Detecting	Low-Speed version: Max frequency 2 Hz, default Filter time 300mS, adjustable 1 .. 65535 mS High-Speed version: Max frequency 1 kHz
Pulse Counting	Low-Speed version: Max frequency 2 Hz, default Filter time 300mS, adjustable 1 .. 65535 mS High-Speed version: Max frequency 1 kHz
Electrical connection	Shielded cable 2m length with PG9 cable gland
LoRaWAN SPECIFICATION	
Frequency zones	EU868, IN865, RU864, KR920, AS923, AU915, US915
Antenna	Internal Antenna 2 dbi
Configuration	via Downlink or offline USB cable (PC software is supplied for free)
Battery	02 x AA Type 1.5VDC
RF Module complies to	CE, FCC, ARIB
Working temperature	-40°C..+60°C (using Energizer Lithium Ultimate AA battery)
Dimensions	H140xW73xD42
Net-weight	250 grams
Housing	Polycarbonate, IP68
Mounting	Wall mount bracket

Ordering Code

Item code	Descriptions
WSLRW-DI-12	LORAWAN NODE WITH DIGITAL INPUTS, 2-CHANNEL, SHIELDED CABLE 2M LENGTH WITH PG9 CABLE GLAND, INTERNAL ANTENNA, TYPE AA BATTERY 1.5VDC, IP68
WSLRW-DI-12H	LORAWAN NODE WITH DIGITAL INPUTS, HIGH SPEED 2-CHANNEL, SHIELDED CABLE 2M LENGTH WITH PG9 CABLE GLAND, INTERNAL ANTENNA, TYPE AA BATTERY 1.5VDC, IP68

▲ Link for full datasheet: <https://filerun.daviteq.com/wl/?id=okXF7dp5nl0pJIXhaCKkzru2u2G94lj>

▲ Link for manual:

daviteq

Daviteq Technologies Inc



www.daviteq.com



info@daviteq.com