

SIGFOX PRECISION FUEL LEVEL SENSOR

daviteq

SKU: WSSFC-CAP10

SIGFOX PRECISION FUEL LEVEL SENSOR WSSFC-CAP10



WSSFC-CAP10-H1.JPG



WSSFC-CAP10 is a Sigfox fuel level sensor that utilizes the 10-year experience of Daviteq in digital capacitance measuring technique. It delivers high accuracy and stability with 0.1% of span. Ultra-low power design and smart firmware allow the complete Wireless and Sensor package to run on 2 x AA battery 1.5V for 2-5 years with 15 minutes updates. It can support the following regions RC1, RC2, & RC4. Typical Applications: Monitoring fuel level and fuel consumption in fuel tanks of Genset, Boiler, Heavy equipment or machinery...



SIGFOX READY

Device are best operating performance on the SIGFOX network



ULTRA-LOW POWER WITH 5 YEARS BATTERY

Ultra-low power sensing technology from Daviteq with Ultra-low power wireless technology allow the sensor can operated up to 5 years with 02 x AA batteries



APPLICABLE FOR MANY KINDS OF FLUIDS

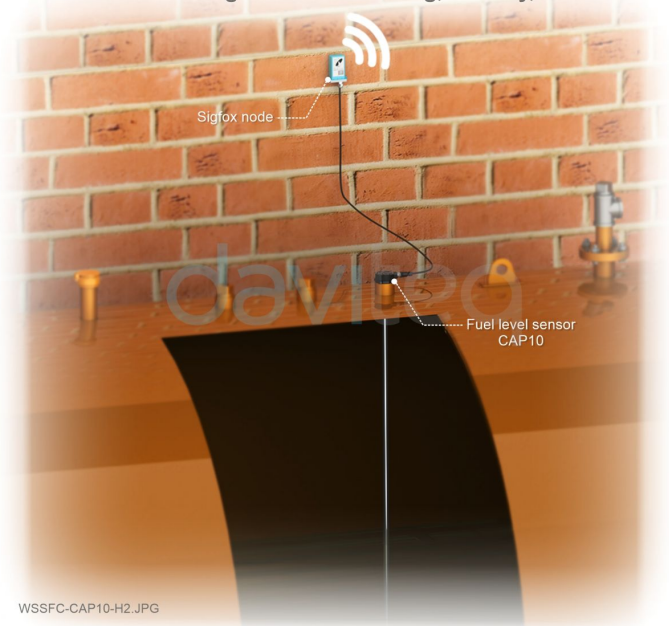
Diesel, bio-diesel, vegetable oil, or any low viscosity non-conductive liquids



EASY TO INSTALL

Smart design for easy installation & maximum protection

Fuel management for Building, Factory,...



WSSFC-CAP10-H2.JPG

DAVITEQ TECHNOLOGIES INC

No.11 Street 2G, Nam Hung Vuong Res., An Lac Ward, Binh Tan Dist., Ho Chi Minh City, Vietnam

+84.28.6268.2523 / 6268.2524

info@daviteq.com

www.daviteq.com

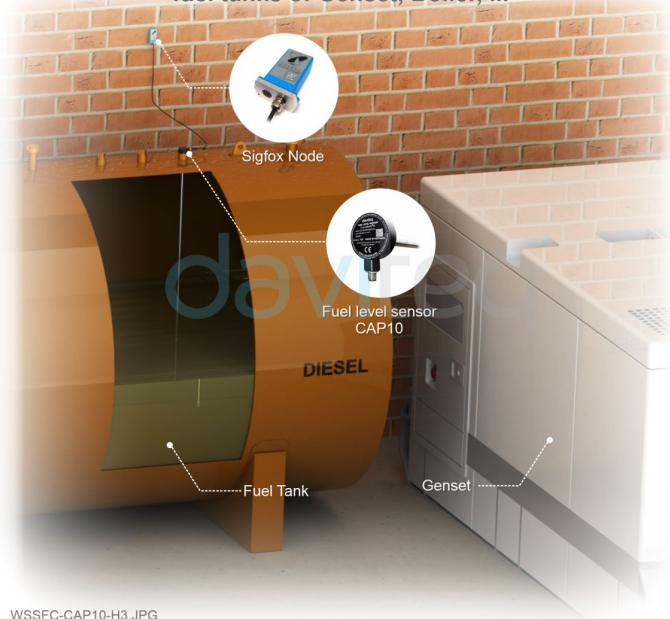
SEP-2021 | Doc No: WSSFC-CAP10-DS-EN-10

1/4

SPECIFICATION

SENSORS SPECIFICATION:	
Measurement Range (mm)	Standard Range: 700, 1000, 1500, can be extended up to 4000
Accuracy / Resolution / Repeatability	±0.1% of Span / 0.1% / ±0.1% of span
Thermal drift	< +0.03% of span per 10oC
Connector	M12 male, 4-pin, Coding A
Sensor MTBF	More than 10 years
Sensor wetted materials	Aluminum and engineering plastic
Operating Temperature Range	-40 to 85 °C
Operating Humidity Range	0-100% RH
Sensor rating	IP67, outdoor
Certification	CE-Marking per EN61236-1 (with test report)
Standard accessories	Filter footer, flange, gasket, o-ring, self-tapping screws
Sigfox SPECIFICATION:	
Sigfox zones	select RC1-RC2-RC4
Antenna	Internal Antenna 2 dbi
Configuration	via Downlink or offline USB cable (PC software is supplied at free)
Battery	02 x AA Type 1.5VDC
RF Module complies to	CE, FCC, ARIB
Working temperature	-40°C..+60°C (using Energizer Lithium Ultimate AA battery)
Dimensions and Net-weight	H140xW73xD42, 250 grams (Sigfox Device only)
Housing	Polycarbonate, IP67
Mounting	Wall mount bracket
Sensor cable	2m sensor cable with M12-male connector

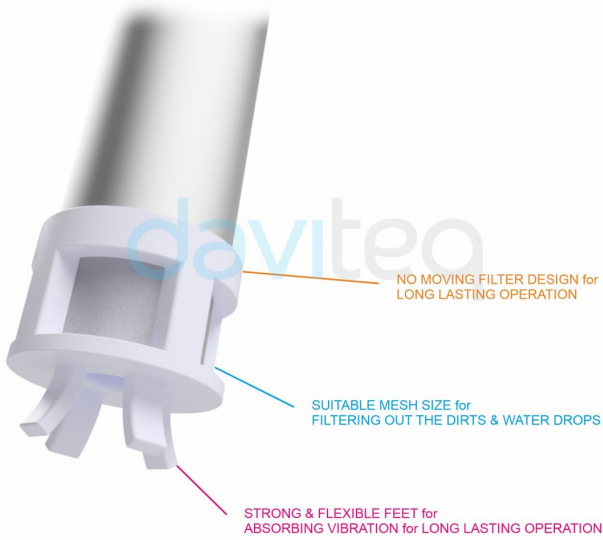
Monitoring fuel level and fuel consumption in fuel tanks of Genset, Boiler, ...



SYSTEM ARCHITECTURE



Smart filtered footer for stable measuring



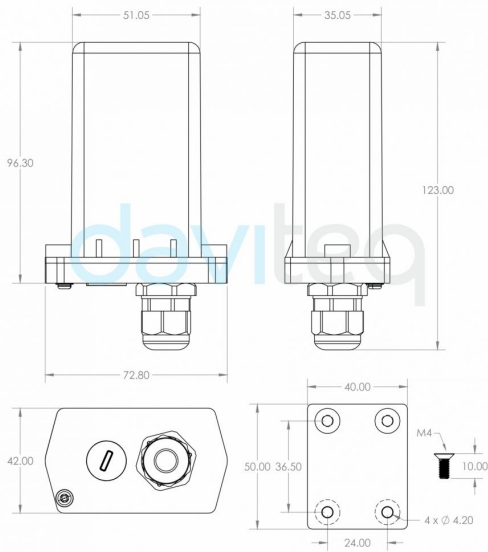
WSSFC-CAP10-H5.JPG

PulseCAP10 Package includes



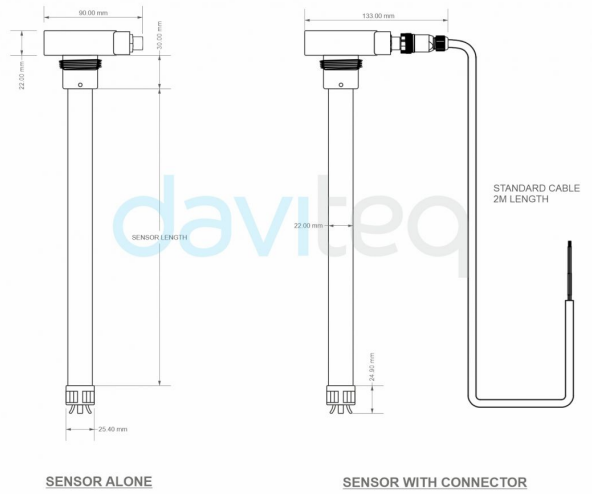
WSSFC-CAP10-H6.JPG

DIMENSION DRAWING OF WIRELESS NODE
(Unit: mm)



WSSFC-CAP10-H7.JPG

DIMENSION DRAWING OF FUEL SENSOR
(Unit: mm)



WSSFC-CAP10-H8.JPG

ORDERING INFORMATION

ITEM CODE	DESCRIPTIONS
WSSFC-CAP10-8-1500	SIGFOX HIGH PRECISION CAPACITANCE FUEL LEVEL SENSOR FOR DIESEL OIL, VEGETABLE OIL, LUBRICANT, 1500MM, FIELD CUTTABLE, INTERNAL ANTENNA, TYPE AA BATTERY 1.5VDC, IP67, RC1 ZONE
WSSFC-CAP10-9-1500	SIGFOX HIGH PRECISION CAPACITANCE FUEL LEVEL SENSOR FOR DIESEL OIL, VEGETABLE OIL, LUBRICANT, 1500MM, FIELD CUTTABLE, INTERNAL ANTENNA, TYPE AA BATTERY 1.5VDC, IP67, RC2-RC4 ZONES
TTL-LRW-USB-01	CONFIGURATION CABLE FOR LORAWAN OR SIGFOX SENSOR, TTL, USB
CAP10PROEXT0700	CAP10 PROBE EXTENSION LENGTH 700 MM
CAP10PROEXT1000	CAP10 PROBE EXTENSION LENGTH 1000 MM
CAP10PROEXT1500	CAP10 PROBE EXTENSION LENGTH 1500 MM

DAVITEQ TECHNOLOGIES INC

No.11 Street 2G, Nam Hung Vuong Res., An Lac Ward, Binh Tan Dist., Ho Chi Minh City, Vietnam

+84.28.6268.2523 / 6268.2524

info@daviteq.com

www.daviteq.com

SEP-2021 | Doc No: WSSFC-CAP10-DS-EN-10

4/4