

AMBIENT & PROCESS Humidity & Temperature Sensor with Modbus output MBRTU-ATH

SKU: MBRTU-ATH

Doc No: MBRTU-ATH-DS-EN-10

Introduction

MBRTU-ATH Humidity and Temperature Sensor utilizes digital temperature sensor delivers high accuracy measurement in range -40 to + 85 oC for ambient version or -40 to + 120 oC for Process version. Output is Modbus RTU for easily integrating with any PLC, controller, SCADA, BMS or IoT gateway.

- 1 Digital sensor technology;
- 1 High accuracy;
- 1 Standard ModbusRTU output;
- 1 Plug & Play.

Typical Applications

MBRTU-ATH can be used widely in the followings:

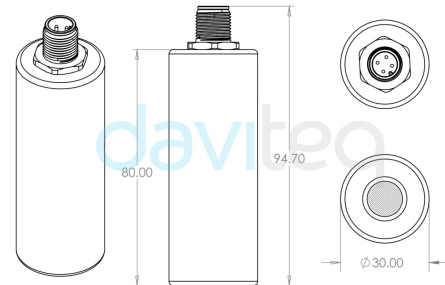
- 1 Ambient Humidity and Temperature Monitoring for Factory, Building, Warehouse, Datacenter, HVAC...
- 1 Process Humidity and Temperature Monitoring for Food processing....

AMBIENT HUMIDITY & TEMPERATURE SENSOR
WITH MODBUS OUTPUT
MBRTU-ATH



MBRTU-ATH-H1.PNG

DIMENSION DRAWING OF MODBUS OUTPUT SENSOR
(Unit: mm)



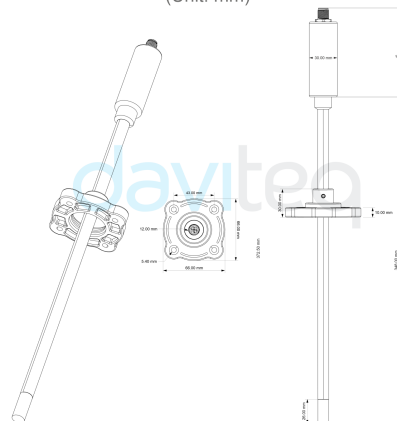
MBRTU-ATH-H2.PNG

PROCESS HUMIDITY & TEMPERATURE SENSOR
WITH MODBUS OUTPUT



MBRTU-ATH-H4.PNG

DIMENSION DRAWINGS OF
PROCESS HUMIDITY & TEMPERATURE SENSOR
MBRTU-ATH-15-...
(Unit: mm)



MBRTU-ATH-H5.PNG

**MONITORING AMBIENT HUMIDITY & TEMPERATURE
IN WAREHOUSE**



MBRTU-ATH-H3.PNG

Specification


SENSOR SPECIFICATION for AMBIENT VERSION	
Sensor	Digital type, factory calibrated, output both Humidity & Temperature values
Humidity measuring range	0 .. 100 %RH
Humidity accuracy	+/- 3.0%
Humidity resolution	0.1%
Temperature measuring range	-40 .. + 85 oC
Temperature accuracy	+/- 1.0 oC
Temperature resolution	0.1 oC
Sensor Filter	PA (for integrated version) OR 20um Alloy sintered filter (for sensor with cable)
SENSOR SPECIFICATION for PROCESS VERSION	
Sensor	Digital type, factory calibrated, output both Humidity & Temperature values
Humidity measuring range	0 .. 100 %RH
Humidity accuracy	+/- 1.8% RH typical in 30-70%RH range and 0-80 oC
Humidity resolution	0.1%
Temperature measuring range	-40 .. + 120 oC
Temperature accuracy	+/- 0.5 oC in 0-100 oC range
Temperature resolution	0.1 oC
Sensor Filter	20um Alloy sintered filter (for sensor with cable)

Sensor Probe	12mm diameter, 304SS with sliding flange Probe length: 300mm, 600mm, 900mm
Working pressure	atmosphere
TRANSMITTER SPECIFICATION	
Communication Port	RS485, ModbusRTU protocol, max 19200 baud
Power supply	7..48VDC, avg. < 200mA
Connector	M12-male 4-pin Code A
Working temperature	-40 .. 85 oC
Working humidity	0 .. 100% RH
Housing	304SS
Rating	IP67
Dimension	H100xD30 (without sensor cable)
Mounting	AMBIENT: SS304 L type bracket for wall mounting PROCESS: integral on probe
Net weight	<200 grams

Ordering Code

Item code	Descriptions
MBRTU-ATH-01	AMBIENT HUMIDITY AND TEMPERATURE SENSOR, INTEGRATED TYPE, -40 .. + 85 C, RS485/MODBUSRTU, 7..48VDC SUPPLY, M12-MALE
MBRTU-ATH-12-300	AMBIENT HUMIDITY AND TEMPERATURE SENSOR, CABLE TYPE 300MM, -40 .. + 85 C, RS485/MODBUSRTU, 7..48VDC SUPPLY, M12-MALE
MBRTU-ATH-15-300	PROCESS HUMIDITY AND TEMPERATURE SENSOR, -40 .. +120 C, 300MM PROBE, ALL 304SS MATERIAL, SLIDING-FLANGE, RS485/MODBUSRTU, 7..48VDC SUPPLY, M12-M CONNECTOR
MBRTU-ATH-15-600	PROCESS HUMIDITY AND TEMPERATURE SENSOR, -40 .. +120 C, 600MM PROBE, ALL 304SS MATERIAL, SLIDING-FLANGE, RS485/MODBUSRTU, 7..48VDC SUPPLY, M12-M CONNECTOR
MBRTU-ATH-15-900	PROCESS HUMIDITY AND TEMPERATURE SENSOR, -40 .. +120 C, 900MM PROBE, ALL 304SS MATERIAL, SLIDING-FLANGE, RS485/MODBUSRTU, 7..48VDC SUPPLY, M12-M CONNECTOR
Please select below M12 cable with different lengths	
2M-FM12CAB4X0.25	M12 4PIN FEMALE ASSEMBLY CONNECTOR WITH SOLDERING TERMINALS AND CODING A AND CONTROL CABLE CU/PVC/OS/PVC 4X0.25MM2, L=2M, ROHS, SHIELD 80%
5M-FM12CAB4X0.25	M12 4PIN FEMALE ASSEMBLY CONNECTOR WITH SOLDERING TERMINALS AND CODING A AND CONTROL CABLE CU/PVC/OS/PVC 4X0.25MM2, L=5M, ROHS, SHIELD 80%
10M-FM12CAB4X0.25	M12 4PIN FEMALE ASSEMBLY CONNECTOR WITH SOLDERING TERMINALS AND CODING A AND CONTROL CABLE CU/PVC/OS/PVC 4X0.25MM2, L=10M, ROHS, SHIELD 80%

 [Link for full datasheet:](#)

 [Link for manual:](#)

daviteq

Daviteq Technologies Inc

 www.daviteq.com |  info@daviteq.com
