

Sigfox-Ready Thermal mass Gas Flowmeter WSSFC-TMF128

SKU: WSSFC-TMF128

Doc No: WSSFC-TMF128-DS-EN-10

Introduction

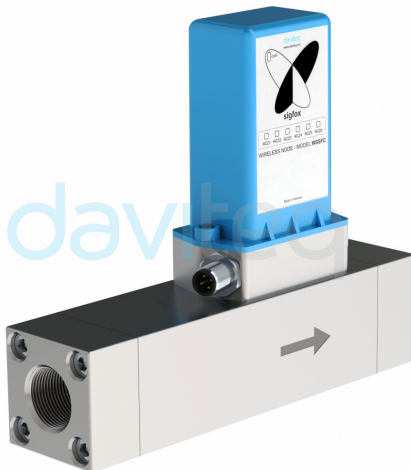
WSSFC-TMF128 is a Sigfox-Ready Thermal mass gas flow meter designed especially for Oxygen, Nitrogen, or Compressed Air flow measurement. It delivers accuracy better than 3% of reading plus 0.5% of span. It can be configured via Sigfox downlink or RS485 Modbus RTU. It supports the following regions RC1, RC2, & RC4.

- Available as DN8, DN15, DN20, and DN25 (G female thread)
- Accuracy better than 3% of reading plus 0.5% of span
- Connect to Sigfox network RC1, RC2 and RC4

Applications

- Flow measurement for Compressed Air;
- Flow measurement for Oxygen;
- Flow measurement for Nitrogen;
- Other gases...

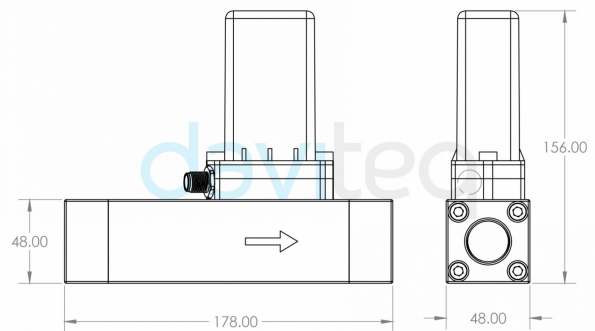
SIGFOX-READY THERMAL MASS GAS FLOWMETER WSSFC-TMF128



WSSFC-TMF128-H1.JPG



DIMENSION DRAWING (Unit: mm)



WSSFC-TMF128-H2.JPG

Specification

FLOW SENSOR SPECIFICATION	
Process connection	DN8, DN15, DN20, DN25 G-female threads (ISO 228-1), with removable flanges for convenient installation/maintenance
Turndown ratio	50:1
Flow range at the actual condition	<p>Standard Flow Range (max velocity 100m/s)</p> <p>DN8: max 15 m3/h DN15: max 60 m3/hr DN20: max 120 m3/hr DN25: max 210 m3/hr</p> <p>Low Flow Range</p> <p>DN8: max 3 m3/h DN15: max 12 m3/hr DN20: max 24 m3/hr DN25: max 42 m3/hr</p>
Accuracy	+/- 3.0% of reading plus 0.5% of Span
Medium Pressure range	0 .. 10 barg, max allowable pressure 16 barg
Medium Temperature range	-20 .. 85 oC, 0 .. 90% RH (non-condensation)
Ambient Temperature range	-40 .. + 85 oC
Material	304SS, Polycarbonate
Communication port	RS485, Modbus RTU for configuration or connect to Master device
SIGFOX SPECIFICATION	
Sigfox zones	select RC1-RC2-RC4
Antenna	Internal Antenna 2 dbi
Configuration	via Downlink or RS485 Modbus RTU
Power supply	7..48VDC
Connector	M12-Male, 4-pin Coding A
RF Module complies to	CE, FCC, ARIB
IP Rating	IP67

Ordering Code

Item code	Descriptions
WSSFC-TFM128-H-A-DN8	SIGFOX-READY THERMAL MASS FLOW METER FOR AIR, HIGH FLOW VERSION, INTERNAL ANTENNA, 7-48VDC, IP67, RC1-RC2-RC3-RC4 ZONES, SIZE DN8
WSSFC-TFM128-L-A-DN8	SIGFOX-READY THERMAL MASS FLOW METER FOR AIR, LOW FLOW VERSION, INTERNAL ANTENNA, 7-48VDC, IP67, RC1-RC2-RC3-RC4 ZONES, SIZE DN8
REPLACE "A" BY OTHER LETTER FOR DIFFERENT GAS	
B	CO2

C	O2
D	N2
E	Ar
REPLACE "DN8" BY OTHER SIZE	
DN15	SIZE DN15
DN20	SIZE DN20
DN25	SIZE DN25

⚠ Link for full datasheet: <https://filerun.daviteq.com/wl/?id=YucNDwcPRc6ePmehleDSAXqh8dulgKcG>

⚠ Link for manual:

daviteq

Daviteq Technologies Inc



www.daviteq.com



info@daviteq.com