

SMART IOT GATEWAY - ICONNECTOR

daviteq

SKU: STHC

iConnector - SMART IOT GATEWAY
STHC



STHC-H1.JPG



STHC is a Smart IoT Gateway, aka iConnector, a main component in any IoT application. iConnector has a role to connect the real World's things like sensors, meters, machines...to server system for data logging, data analytics, monitoring & controls...iConnector support multiple Industrial Fieldbus like Modbus, EthernetIP, Profinet, CClink, Wireless sensor network...It connects to server system via LAN/WAN as Ethernet, WiFi or Cellular.



3-IN-1 DEVICE

iConnector is a 3-in1 device, comprises Data logger + Logic Controller + Internet Gateway



NO NEED PROGRAMMING

Don't need to learn any Programming language, just configure it remotely by Globiots platform



JUST 2-STEP FOR USING

Just install and configure it remotely on Globiots, then you can start use it!



MULTIPLE FIELDBUS PROTOCOLS

Support multiple Fieldbus protocols like Modbus, EthernetIP, Profinet, CCink...



SINCE 2014!

Industrial customers have been using iConnectors since 2014 because of its quality!

iConnector - SMART IOT GATEWAY



STHC-H2.JPG



DAVITEQ TECHNOLOGIES INC

No.11 Street 2G, Nam Hung Vuong Res., An Lac Ward, Binh Tan Dist., Ho Chi Minh City, Vietnam

+84.28.6268.2523 / 6268.2524

info@daviteq.com

www.daviteq.com

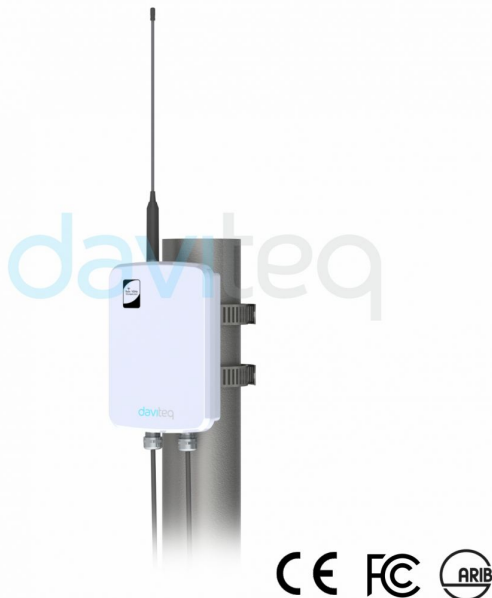
OCT-2022 | Doc No: STHC-DS-EN-13

1/4

SPECIFICATION

Host Communication Cellular type	LTE Cat 4, 3G-Dual band (2100/900) or LTE Cat M1/NB1 with Global band (B1, B2, B3, B4, B5, B8, B9, B10, B12, B13, B17, B18, B19, B20, B25, B26, B27, B28, B66) and 2G-Quadband fall back, standard internal antenna, optional external antenna
Host Communication Ethernet type	01 x RJ45 port, 10Mbps
Host Communication WiFi type	802.11b/g/n, 2.4Ghz, internal antenna
GPS	option, only available on GPRS version or 3G-Penta band version
Host communication supports	TCP/IP, UDP/IP, FTP, HTTPS, SNMP...
Fieldbus communication	ModbusRTU x 01 port, 31 slaves, max 19.2 kpbs
Vietnam Type Approval Certification	QCVN 54:2011/BTTTT, QCVN 15:2015/BTTTT (DAVITEQ B00122019)
Optional	Integrated wireless co-ordinator with external antenna or internal antenna
Optional	Internal buzzer (to replace Relay 1)
Power supply	7..48VDC, avg 200mA, peak 1.5A
Back-up battery	Lithium-ion for cellular versions
On-board memory & sensors	2MB Flash, PCB temperature sensor
Electrical connectors	M12, 4-pin, coding A or 9mm Power Plug and USB port
SIM slot	01 x micro-SIM (cellular versions only)
Included accessories	mounting bracket for wall mount
Operating Temperature/Humidity	-20 .. + 60 degC / 95%RH, non-condensing
Housing/Protection	Aluminum+Polycarbonate. IP67 protection.
Dimension	H106xW73xD42
Net weight	190 grams
Relay outputs	02 x relay SPST NO contact, 125VAC@0.3A or 24VDC@1A (depends on item code)

iConnector 4G CAT4 WITH WIRELESS CO-ORDINATOR STHC-ISG04A-WS433-CL-04



STHC-H3.JPG

TYPICAL APPLICATION



STHC-H4.JPG

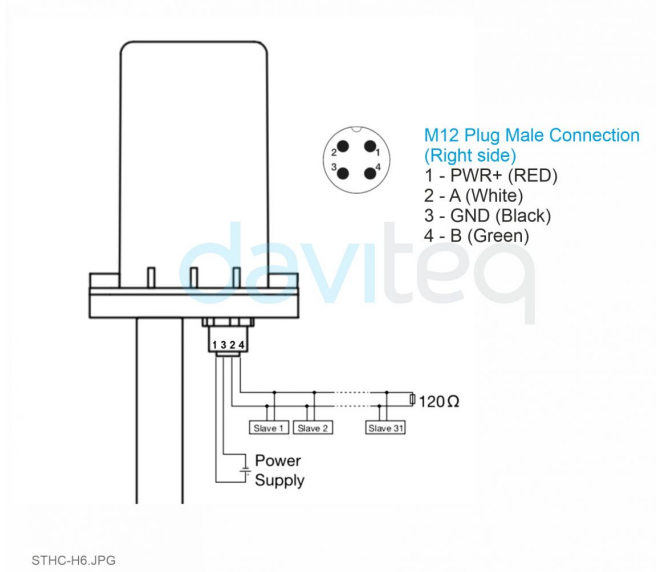
DAVITEQ TECHNOLOGIES INC

No.11 Street 2G, Nam Hung Vuong Res., An Lac Ward, Binh Tan Dist., Ho Chi Minh City, Vietnam
 +84.28.6268.2523 / 6268.2524
 info@daviteq.com www.daviteq.com OCT-2022 | Doc No: STHC-DS-EN-13

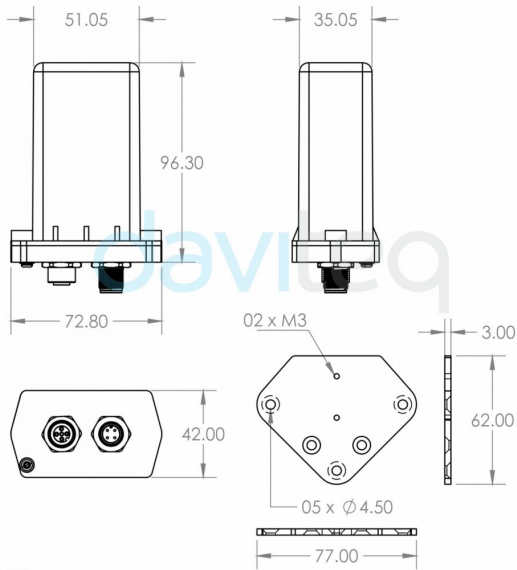
CONNECT WIRELESS SENSORS TO GLOBIOTS Platform



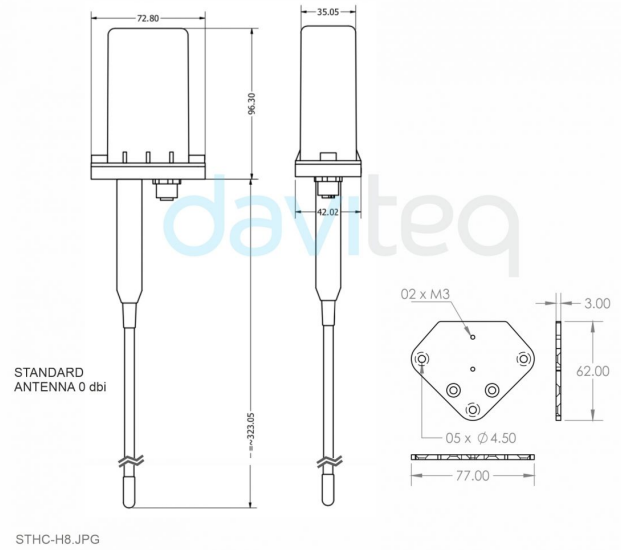
PIN ASSIGNMENT & WIRING BUILT-IN WIRELESS CO-ORDINATOR



DIMENSION DRAWINGS OF STANDARD VERSION (Unit: mm)



DIMENSION DRAWINGS BUILT-IN WIRELESS CO-ORDINATOR VERSION (Unit: mm)



ORDERING INFORMATION

ITEM CODE	DESCRIPTIONS
STHC-ISG02DB-NC	iConnector 3g Dual-Band, internal antenna, with 02 relays, no M12 cables
STHC-ISG02DB-WS433-CL-04	iConnector 3g Dual-Band, internal GSM antenna, RS485/MODBUSRTU with built-in wireless co-ordinator, external antenna 0 dbi with M12-Male connector
STHC-ISGWF-WS433-CL-04	iConnector WIFI, internal WIFI antenna, RS485/MODBUSRTU with built-in wireless co-ordinator, external antenna 0 dbi with M12-Male connector
STHC-ISGWET-WS433-CL-04	Smart Out-of-Box IoT Gateway, iConnector, Data logger + Controller + Gateway, WIFI 2.4ghz and Ethernet 10mbps, with Wireless Sub-GHz RF receiver
SIMMOBI-3G	Mobifone Data SIM CARD, only SMS receiving mode
SIMMOBI-10K-01Y	12-month data plan for SIM CARD, unlimited data, GPRS/EDGE/UMTS/HSPA
SPECIAL ORDER	
STHC-ISG04A-WS433-CL-04	iConnector 4G Cat 4, Asia bands, internal GSM antenna, RS485/MODBUSRTU with built-in wireless co-ordinator, external antenna 0 dbi with M12-Male connector
STHC-ISGM1-NB1-2G-NC	iConnector CAT M1, NB1, 2G, Global bands, internal antenna, with 02 relays, no M12 cables
STHC-ISGM1-NB1-WS433-CL-04	iConnector CAT M1, NB1, 2G, Global bands, internal antenna, with built-in wireless co-ordinator, external antenna 0 dbi with M12-Male connector and with M12-F to DC jack power cable
STHC-ISG02DB-WS433-CL-05	iConnector 3G Dual Band*, internal GSM antenna, integrated wireless co-ordinator with Taoglas external antenna 0 dbi, 9mm DC Power Jack and USB port for configuration
STHC-ISG02DB-WS433-CL-06	iConnector 3G Dual Band*, internal GSM antenna, integrated wireless co-ordinator with internal antenna , 9mm DC Power Plug and USB port for configuration, internal buzzer
STHC-ISG02-NC/GPS	iConnector 3G Penta Band with GPS, internal antennas, with 02 relays, no M12 cables
STHC-ISG02DB-NC/EXANT	iConnector 3G Dual Band, SMA connector for external GSM antenna (order external antenna separately), no relay, no M12 cables
STHC-ISG02-NC/GPS/EXANT	iConnector 3G Penta Band with GPS, SMA connectors for external GSM/GPS antennas (order external antennas separately), no relay, no M12 cables
STHC-ISG02-WS433-CL-04	iConnector 3G Penta Band*, internal GSM antenna, RS485/ModbusRTU with built-in wireless co-ordinator, external antenna 0 dbi with M12-Male connector
ACCESSORIES	
RS485-FM12-USB-1	RS485/USB multi-purpose Configuration cable with connector m12 male, female and flying leads, with Power adapter 12VDC/2.0A
EXANT-JCG008	IP67 GSM Antenna for Cellular iConnector with SMA connector, without GPS
EXANT-JCB008L	IP67 Combination GSM+GPS Antenna for Cellular iConnector with SMA connectors, with GPS
2M-MM12CAB4x0.25	M12 4pin Male assembly connector with Soldering terminals and coding A and Control Cable Cu/PVC/OS/PVC 4x0.25mm2, L=2m, Rohs, Shield 80%
2M-FM12CAB4x0.25	M12 4pin Female assembly connector with Soldering terminals and coding A and Control Cable Cu/PVC/OS/PVC 4x0.25mm2, L=2m, Rohs, Shield 80%
5M-MM12CAB4x0.25	M12 4pin Male assembly connector with Soldering terminals and coding A and Control Cable Cu/PVC/OS/PVC 4x0.25mm2, L=5m, Rohs, Shield 80%
5M-FM12CAB4x0.25	M12 4pin Female assembly connector with Soldering terminals and coding A and Control Cable Cu/PVC/OS/PVC 4x0.25mm2, L=5m, Rohs, Shield 80%
10M-MM12CAB4x0.25	M12 4pin Male assembly connector with Soldering terminals and coding A and Control Cable Cu/PVC/OS/PVC 4x0.25mm2, L=10m, Rohs, Shield 80%
10M-FM12CAB4x0.25	M12 4pin Female assembly connector with Soldering terminals and coding A and Control Cable Cu/PVC/OS/PVC 4x0.25mm2, L=10m, Rohs, Shield 80%
Notes	* Purchase M12-female cable to power and RS485 connecting for iConnector
	** Purchase M12-male cable for using Relays port
	*** Purchase configuration cable RS485-FM12-USB-1 for off-line configuration of iConnector

DAVITEQ TECHNOLOGIES INC

No.11 Street 2G, Nam Hung Vuong Res., An Lac Ward, Binh Tan Dist., Ho Chi Minh City, Vietnam

+84.28.6268.2523 / 6268.2524

info@daviteq.com

www.daviteq.com

OCT-2022 | Doc No: STHC-DS-EN-13