

SKU: WS433-RL

4-CHANNEL SPST RELAY OUTPUT WIRELESS MODULE WS433-RL-14



4 X N.O CONTACT
1.0A@24VDC
0.3A@125VAC



WS433-RL-H1.PNG

Wireless Relay output module, select SPDT or SPST contacts, select 2 or 4 channels, to control your motor, pump, valve, door, alarm, lighting, machines...It is configured the operation parameters like data sending interval, health check cycle...remotely from Globiots platform or via ModbusRTU software.

- ✓ **RELIABLE & SECURED WIRELESS CONNECTION**
Sub-Ghz technology from Texas Instruments allows reliable wireless connection and secured data by AES-128
- ✓ **LONG RANGE TRANSMISSION**
Narrow Band techniques & Sub-Ghz technology allow long distance transmission at lowest energy consumption
- ✓ **MULTIPLE TYPES OF CONTACT**
Select SPST or SPDT contacts, 2 or 4 channels

2-CHANNEL SPDT RELAY OUTPUT WIRELESS MODULE WS433-RL-12



2 X CO CONTACTS
5.0A@250VAC



WS433-RL-H2.PNG

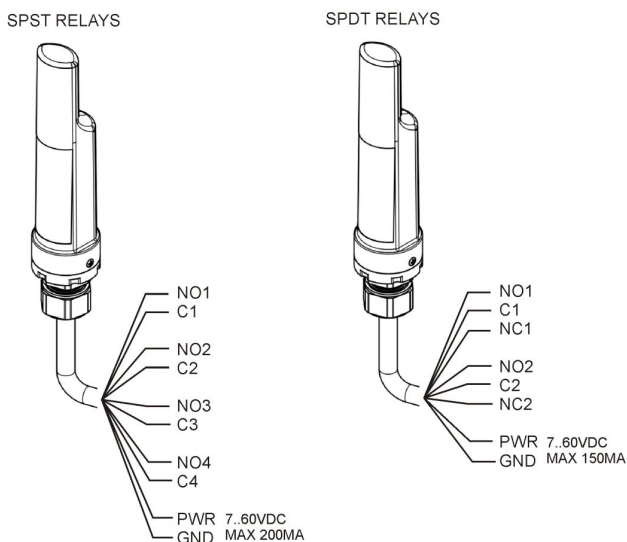
DAVITEQ TECHNOLOGIES INC

No.11 Street 2G, Nam Hung Vuong Res., An Lac Ward, Binh Tan Dist., Ho Chi Minh City, Vietnam
+84.28.6268.2523 / 6268.2524
info@daviteq.com www.daviteq.com JAN-2021 | Doc No: WS433-RL-DS-EN-10

SPECIFICATION

Outputs	02 x SPDT relay or 04 x SPST relay
SPST contacts	0.3A@125VAC/1.0A@24VDC
SPDT contacts	5.0A@250VAC
Functions	ON/OFF
Electrical connection	cable 0.5m length with PG9 cable gland
Optional accessories	304SS Adapter PG9/male 1/2"NPT or PG13.5 or M20 to allow direct mounting on Process instruments or electrical panel
Data speed	Up to 50kbps
Transmission distance, LOS	500m
Antenna	Internal Antenna, 3 dbi
Power	7-60VDC, max 200mA
Frequency Band	ISM 433Mhz, Sub-GHz technology from Texas Instrument, USA
Receiving Sensitivity	-110dBm at 50kbps
International Compliance	ETSI EN 300 220, EN 303 204 (Europe) FCC CFR47 Part15 (US), ARIB STD-T108 (Japan)
Security Standard	AES-128
Operating temperature of PCB	-40oC..+60oC (with AA L91 Energizer)
Housing	Poly-carbonate, IP67
Installation method	L-type bracket SUS304 , by M4 screws or double-sided 3M tape (included)
Product dimensions	125x30x30mm
Net weight (without battery)	< 100g
Box dimension	190x50x50mm
Gross weight	140g

WIRING DIAGRAM FOR WS433-RL



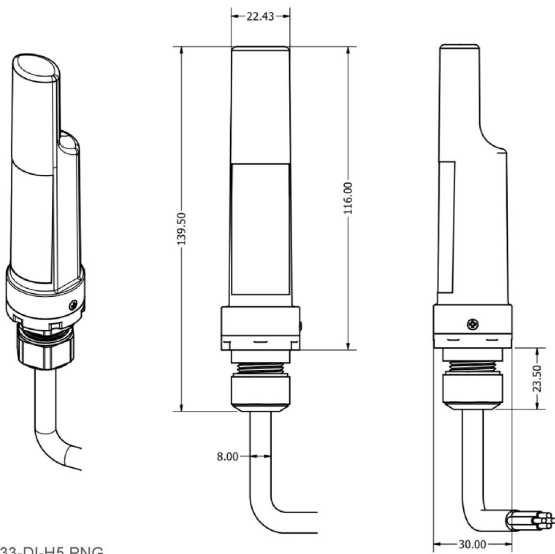
WS433-RL-H3.PNG

TYPICAL APPLICATIONS OF WS433-RL



WS433-RL-H4.PNG

DIMENSION DRAWINGS OF WS433 SENSOR WITH CABLE OUTPUT



WS433-DI-H5.PNG

CARTON BOX OF WIRELESS SENSOR



SIZE: DIA. 50MM X 180MM LENGTH

WS433-M12F-H6.PNG

PRODUCT PACKAGE INCLUDES



WS433-M12F-H7.PNG

ORDERING INFORMATION

ITEM CODE	DESCRIPTIONS
WS433-RL-14	Wireless relay module with 04 x SPST relay, contact rating 0.5A@125VAC/1.0A@30VDC, IP67, power supply 7-60VDC, cable 05m length with PG9 cable gland
WS433-RL-12	Wireless relay module with 02 x SPDT relay, contact rating 5.0A@250VAC, IP67, power supply 7-60VDC, cable 05m length with PG9 cable gland

DAVITEQ TECHNOLOGIES INC

No.11 Street 2G, Nam Hung Vuong Res., An Lac Ward, Binh Tan Dist., Ho Chi Minh City, Vietnam

+84.28.6268.2523 / 6268.2524

info@daviteq.com

www.daviteq.com

JAN-2021 | Doc No: WS433-RL-DS-EN-10