

# LoRaWAN RS485 Modbus Master WSLRW-MB485

SKU: WSLRW-MB485

Doc No: WSLRW-MB485-DS-EN-10

## Introduction

WSLRW-MB485 is a LoRaWAN node with RS485 port support Modbus RTU Master allow data reading from the water meter, flow meter, power meter, gas meter, flow computer... It can support all regions like EU868, IN865, RU864, KR920, AS923, AU915, US915.

- Support RS485 ModbusRTU;
- LoRaWAN Class A protocol;
- Plug & Play.

## Typical Applications

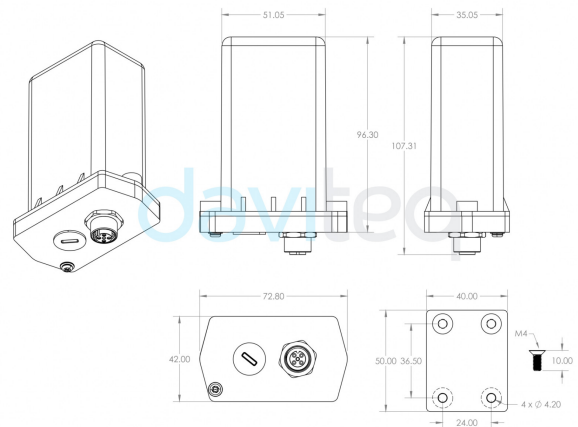
- Read data from the water meter, flow meter, power meter, gas meter, flow computer...via RS485 / Modbus RTU port

LoRaWAN RS485 MODBUS MASTER  
WSLRW-MB485



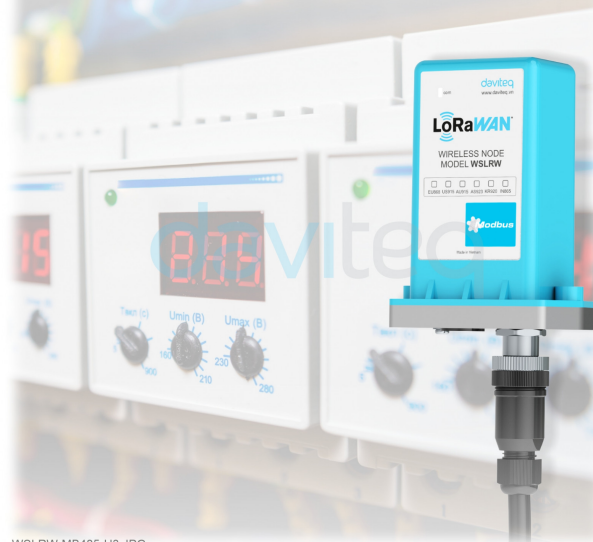
WSLRW-MB485-H1.JPG

DIMENSION DRAWING OF WIRELESS SENSOR  
(Unit: mm)



WSLRW-MB485-H2.JPG

READING AND WIRELESS TRANSMITTING OUTPUT DATA  
OF MODBUS RTU / RS485 DEVICES



WSLRW-MB485-H3.JPG


## Specification

Communication	RS485
Slave Support	1 Slave
Baud rate	max 19600
Electrical connector	M12-female, 4-pin A-coding
Frequency	EU868, IN865, RU864, KR920, AS923, AU915, US915
Antenna	Internal Antenna 2.67 dbi
Configuration	via offline USB cable (PC software is supplied at free)
Power Supply	7-48VDC
RF Module complies to	CE, FCC, ARIB
Working temperature	-20 .. + 60 degC / 95%RH, non-condensing
Dimensions	H110xW73xD42
Net-weight	200 grams
Housing	Polycarbonate, IP67
Mounting	Wall mount bracket

## Ordering Code

Item code	Descriptions
WSLRW-MB485-01	LORAWAN RS485 MODBUS MASTER, 7-48VDC, IP67, M12-M CONNECTOR, 860-930 MHZ FOR EU868, IN865, RU864, KR920, AS923, AU915, US915

 Link for full datasheet: <https://filerun.daviteq.com/wl/?id=MRobuYEkhOyf4ixlktjE8xKNbUFcUI29>

 Link for manual:

**daviteq**

Daviteq Technologies Inc



[www.daviteq.com](http://www.daviteq.com)



[info@daviteq.com](mailto:info@daviteq.com)