

Sigfox Node RS485 Modbus Master WSSFC-MB485

SKU: WSSFC-MB485

Doc No: WSSFC-MB485-DS-EN-10

Introduction

WSSFC-MB485 is a Sigfox node with RS485 port support ModbusRTU Master allow data reading from water meter, flow meter, power meter, gas meter, flow computer... It can support all regions of Sigfox network in over the World, RC1, RC2, RC3, RC4, RC5, RC6, RC7.

- Support RS485 ModbusRTU;
- Sigfox Ready;
- Plug & Play.

Typical Applications

- Read data from water meter, flow meter, power meter, gas meter, flow computer...via RS485 / ModbusRTU port

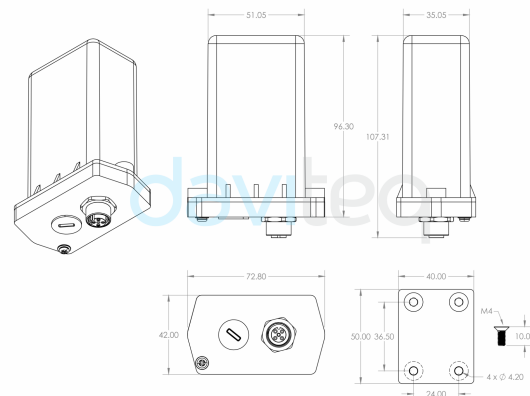
SIGFOX NODE RS485 MODBUS MASTER
WSSFC-MB485



WSSFC-MB485-H1.PNG



DIMENSION DRAWING OF WSSFC-MB485
(Unit: mm)



WSSFC-MB485-H2.PNG

READING AND WIRELESS TRANSMITTING OUTPUT DATA OF MODBUS RTU / RS485 DEVICES



WSSFC-MB485-H3.PNG

Specification

Communication	RS485
Slave Support	1 Slave
Baud rate	max 19600
Electrical connector	M12-female, 4-pin A-coding
Sigfox zones	select RC2-RC3-RC4-RC5 or RC1-RC6-RC7
Antenna	Internal Antenna 2.67 dbi
Configuration	via offline USB cable (PC software is supplied at free)
Power Supply	7-48VDC
RF Module complies to	CE, FCC, ARIB
Working temperature	-20 .. + 60 degC / 95%RH, non-condensing
Dimensions	H110xW73xD42
Net-weight	200 grams
Housing	Polycarbonate, IP67
Mounting	Wall mount bracket

Ordering Code

Item code	Descriptions
WSSFC-MB485-9-01	SIGFOX NODE RS485 MODBUS MASTER, 7-48VDC, IP67, M12 CONNECTOR, INTERNAL ANTENNA, IP67, RC2-RC3-RC4-RC5 ZONES
WSSFC-MB485-8-01	SIGFOX NODE RS485 MODBUS MASTER, 7-48VDC, IP67, M12 CONNECTOR, INTERNAL ANTENNA, IP67, RC1-RC6-RC7 ZONES

🚩 Link for full datasheet: <https://filerun.daviteq.com/wl/?id=JqqTt5X2AWyGALKHovNhD98nf7SBUfUJ>

🚩 Link for manual:

daviteq

Daviteq Technologies Inc



www.daviteq.com



info@daviteq.com