

LORAWAN NODE WITH DIGITAL INPUT EX D APPROVED

SKU: WSLRWEX-DI

LoRaWAN NODE WITH DIGITAL INPUTS WSLRWEX-DI

LoRaWAN



WSLRWEX-DI-H1.JPG

WSLRWEX-DI is a LoRaWAN Node with Ex d explosion-proof approval and comes with 02 digital inputs for detecting the status of the pump, valve...or counting pulses from the flow meter, energy meter... Ultra-low-power design and smart firmware allow the device to run on a single battery type C for 5 years or more with 10 minutes update. It supports global frequency bands EU868, IN865, RU864, KR920, AS923, AS923-2, AU915, and US915. The sensor can work perfectly with any LoRaWAN Gateway on the market.

Typical applications: detecting the status of the pump, valve...or counting pulses from the flow meter, energy meter...

- ✔ **LORAWAN COMMUNICATION**
Support LoRaWAN Class A, connect to any LoRaWAN gateway on the market
- ✔ **EXPLOSION-PROOF APPROVED**
ATEX approval for Ex d IIC
- ✔ **MORE THAN 5 YEARS BATTERY LIFE**
Ultra-low power technology allows 5-year battery life with a single size C battery
- ✔ **PLUG & PLAY**
The sensor is tested and pre-configured in factory before shipping.

WIRELESS NODE CONNECTED WITH ExD LIMIT SWITCH



WSLRWEX-DI-H2.JPG

DAVITEQ TECHNOLOGIES INC

No.11 Street 2G, Nam Hung Vuong Res., An Lac Ward, Binh Tan Dist., Ho Chi Minh City, Vietnam

+84.28.6268.2523 / 6268.2524

info@daviteq.com

www.daviteq.com

SEP-2022 | Doc No: WSLRWEX-DI-DS-EN-10

SPECIFICATION

Digital Inputs	2-channel dry contact or low voltage ($\leq 3.3V$)
Operation	Detecting status or Pulse counting (2Hz max)
Communication	LoRaWAN Class A, V1.0.3
Data rate	250bps .. 5470bps
Antenna	External Antenna
RF Frequency and Power	860..930 MHz, +14 .. +20 dBm, configurable for zones: EU868, IN865, RU864, KR920, AS923, AS923-2, AU915, US915
Data sending modes	interval time, or when status changes, or manually triggered by a magnetic key.
Configuration	via Downlink or offline USB cable (PC software is supplied for free)
Battery	01 x C type LiSOC12 3.6V battery, not included (recommend SAFT LS26500)
Housing	Cast aluminum, IP66
Ex Certification	IMQ 14 ATEX 005 X, TÜV CY 18 ATEX 0206158 X and IECEx DEK 15.0048X
Hazardous Protection Marking	ATEX II 2G Ex db IIC T4 Gb and ATEX II 2D Ex tb IIIC T135°C Db
Standards	IEC EN 60079-0, IEC EN 60079-7 and IEC EN 60079-31
Applicable Zones	Zone 1 & 2 gas hazardous areas Zone 21 & 22 hazardous areas which contain conductive combustible dust
Ambient working temperature	-40°C to +85°C (use with SAFT LS26500)
Dimensions	H100xW100xD80 (excluded antenna)
Net-weight	~ 1500 grams (without battery)
Mounting	Wall mount bracket

WIRELESS NODE WITH INTEGRATED
ExD PRESSURE SWITCH

WSLRWEX-DI-H3.JPG

WIRELESS NODE WITH ExD TEMPERATURE SWITCH



Integrated Type

Remote Type

WSLRWEX-DI-H4.JPG

WIRELESS NODE WITH ExD MAGNETIC PROXIMITY SENSOR



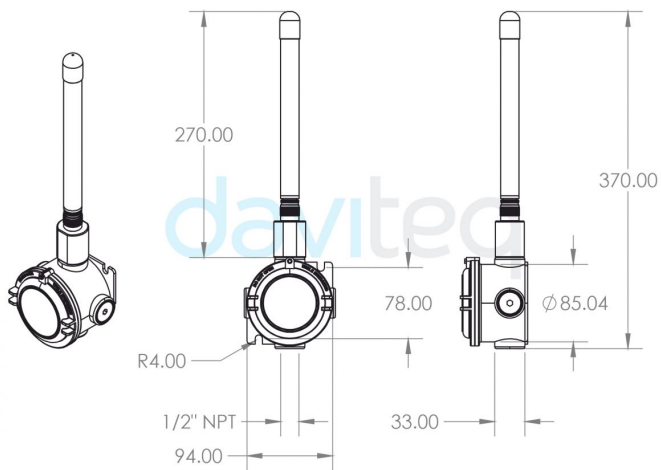
WSLRWEX-DI-H5.JPG

WIRELESS NODE WITH ExD FLOW SWITCH



WSLRWEX-DI-H6.JPG

DIMENSION DRAWING OF WSLRWEX-DI (Unit: mm)



WSLRWEX-DI-H7.JPG

RECOMMENDED BATTERIES FOR LoRaWAN SENSOR

LS 26500 Lithium battery



-60°C..+85°C working temperature

Low self-discharge rate

7.7 Ah Capacity

WSLRWEX-DI-H8.JPG

ORDERING INFORMATION

WSLRWEX-DI-12

LORAWAN NODE WITH DIGITAL INPUTS, EX D APPROVED ZONES 1-2-21-22, BATTERY 3.6V, IP66,
2-CHANNEL DRY-CONTACT OR VOLTAGE INPUT MAX 3.3VDC, LOGIC DETECTING OR PULSE
COUNTING MAX 2HZ

DAVITEQ TECHNOLOGIES INC

No.11 Street 2G, Nam Hung Vuong Res., An Lac Ward, Binh Tan Dist., Ho Chi Minh City, Vietnam

+84.28.6268.2523 / 6268.2524

info@daviteq.com

www.daviteq.com

SEP-2022 | Doc No: WSLRWEX-DI-DS-EN-10