

# OUTDOOR LORAWAN GATEWAY



SKU: GWLRW

LoRaWAN GATEWAY  
GWLRW

LoRaWAN



GWLRW-H1.JPG

GWLRW is a LoRaWAN Gateway designed for outdoor installation, used in projects such as Smart Factory, Smart Agriculture, Smart Building, Smart Residential Area, Smart City... It supports simultaneously 8 connection channels to help receive a large number of packets from surrounding LoRaWAN sensors. The connection distance to the LoRaWAN sensors is up to 10 Km (depending on the environment and sensor types). It supports common communications such as Ethernet, LTE, WiFi. LoRa frequency support 863~870 MHz / 902~928 MHz.

This LoRaWAN Gateway is widely used in applications such as reading water meters, electricity meters, gas meter, environmental monitoring, smart farms, smart factories...



## LORAWAN COMPLIANCE

LoRaWAN Specification 1.0.3 compliance



## CONNECT TO ANY NETWORK SERVER SOFTWARE

Connect to The Things Network (TTN), ChirpStack, ThingPark (Actility), Loriot...



## FOR OUTDOOR INSTALLATION

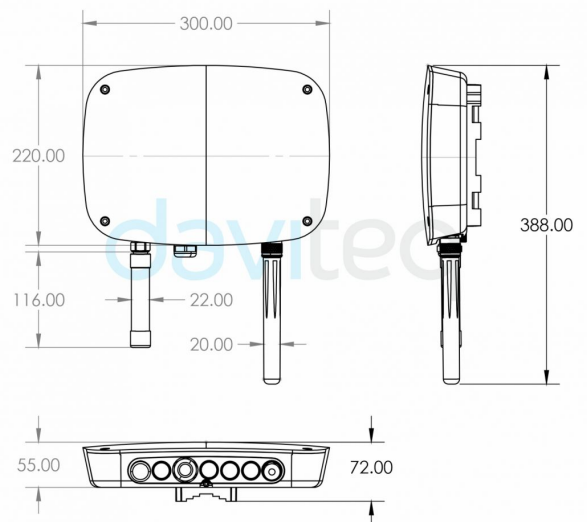
IP66 Rating with Cast Aluminum housing



## MULTIPLE CONNECTIONS

Support LTE Cat4, M1/NB2, WiFi, Ethernet

DIMENSION DRAWING OF GWLRW



GWLRW-H2.JPG

## DAVITEQ TECHNOLOGIES INC

No.11 Street 2G, Nam Hung Vuong Res., An Lac Ward, Binh Tan Dist., Ho Chi Minh City, Vietnam

+84.28.6268.2523 / 6268.2524

info@daviteq.com

www.daviteq.com

NOV-2022 | Doc No: GWLRW-DS-EN-10

## SPECIFICATION

LoRaWAN Specification	LoRaWAN 1.0.3
Frequency Band	Select 863~870 MHz / 902~928 MHz
Number of Channels	Up to 8 concurrent channels for LoRa transmission
LoRa Transmit Power	0.5W (up to 27 dBm)
LoRa Receive Sensitivity	Down to -142 dBm (conducted)
LoRa Software	Standard and LRR Actility
Operating Temperature	-10°C ~ 55°C
Storage Temperature	-20°C ~ 60°C
Power Supply	DC 12 V/1.5 A-Power Adaptor / DC 10~30 V 3-Pin Connector Power supply / Passive PoE 10~30 V
GPS	GPS + GLONASS, L1C/A band
Wi-Fi	802.11b/g/n, 1x1, 2.4GHz
4G LTE	LTE Cat 4 or Cat M1/NB2
Interfaces	1 WAN RJ45 10/100Mbps (w/ passive PoE capability), 1 SIM card slot (2FF), 1 DC jack in / 1 terminal block
Antenna Type	1 x external LoRa antenna, 1 x External antenna for LTE, 1 x external Wi-Fi antenna, 1 x external GPS antenna
Housing	Cast Aluminum, IP66, can withstand Wind speeds up to 120 Km/h
Dimensions	L:220 x W:300 x H:55mm
Weight	< 2.1 kg
Vietnam Type Approval	pending

|

## ORDERING INFORMATION

GWLRW-9-EC25-AU	LoRaWAN Gateway, outdoor IP66, Frequency 9XX MHz, LTE Cat 4 for Australia-Asia-South America, SIM slot, included antenna, POE Ethernet, terminal for DC 10-30V
GWLRW-9-EC25-A	LoRaWAN Gateway, outdoor IP66, Frequency 9XX MHz, LTE Cat 4 for North America, SIM slot, included antenna, POE Ethernet, terminal for DC 10-30V
GWLRW-8-EC25-EUX	LoRaWAN Gateway, outdoor IP66, Frequency 8XX MHz, LTE Cat 4 for EMEA and Asia, SIM slot, included antennas, POE Ethernet, terminal for DC 10-30V

## DAVITEQ TECHNOLOGIES INC

No.11 Street 2G, Nam Hung Vuong Res., An Lac Ward, Binh Tan Dist., Ho Chi Minh City, Vietnam

+84.28.6268.2523 / 6268.2524

info@daviteq.com

www.daviteq.com

NOV-2022 | Doc No: GWLRW-DS-EN-10