

AO-3600 Actuators

Diaphragm Actuators
Multi-Spring



KOMOTO
A JOINT COMPANY OF MOTOYAMA INC, TOKYO JAPAN

AO-3600 Actuators

Diaphragm Actuators Multi-Spring



Contents

Features	3
General Construction	4
Specifications	5
Parts List	5
Actuator Acting	6
Hand Wheel	6
Dimensions	7

1 Features

The AO-3600 Actuator is designed to provide high Performance by KOMOTO's 30 years and MOTOYAMA, Japan's 80 years of knowhow. It is designed to control the flow, level and the pressure of fluid to respond to demand for fine process control and various plant systems. The AO-3600 Actuator will satisfy customers' needs with its high reliability, durability, and performance.

☑ Easy Maintenance

Easy to assemble and disassemble. Reduce the maintenance cost by simplified the design of components.

☑ Good Performance

Provide the maximum strength and reliable high performance.

☑ Field Reversible

Actuator air action can be changed in the field for increased flexibility and reduced inventory.

☑ Flexibility

Wide selection of optional accessories available including override.

☑ Compact Design

More compact and lighter than other existing actuators. Designed for easy installation and convenient maintenance on site.

☑ Multiple Spring Design

Available to insert three springs to six springs maximum. Suitable for various working pressure from low to high instrument air pressure.

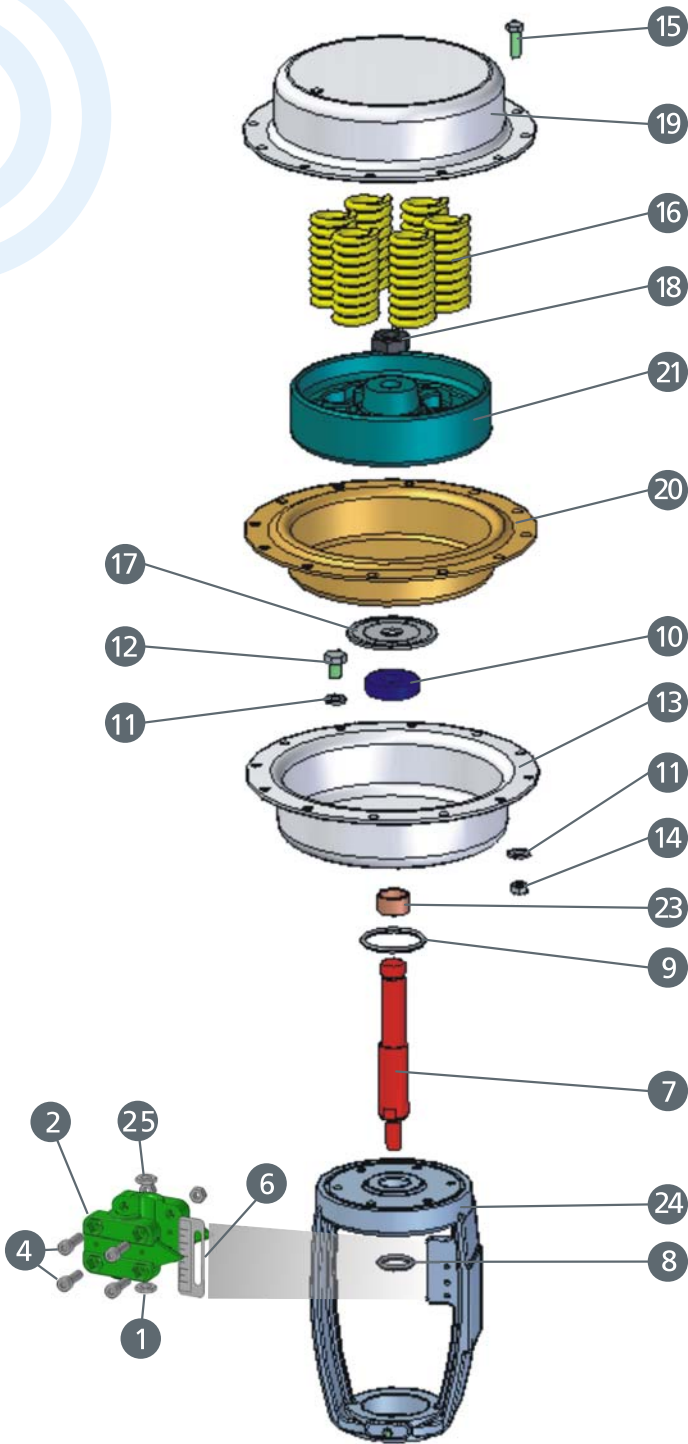
☑ Quality Assurance

Quality Assurance system in accordance with ISO 9001.

☑ Separate Handwheel

Adapting independent spindle, it does not damage the connected parts between handle spindle and worm gear.

2 General Construction



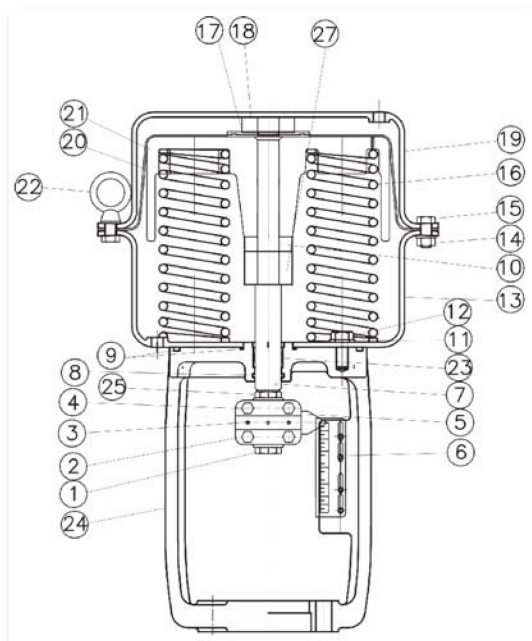
No.	Description	Material
1	Lock Nut	Stainless Steel
2	Connector	Stainless Steel
3	Pointer Bolt	Stainless Steel
4	Connector Bolt	Stainless Steel
5	Pointer	Stainless Steel
6	Stroke Plate	Stainless Steel
7	Actuator Stem	Stainless Steel
8	O-Ring	EPDM
9	O-Ring	EPDM
10	Spacer	Stainless Steel
11	Washer	Stainless Steel
12	Bolt	Carbon Steel
13	Diaphragm Case	Carbon Steel
14	Nut	Carbon Steel
15	Bolt	Carbon Steel
16	Spring	Carbon Steel
17	Black Plate	Carbon Steel
18	Nut	Carbon Steel
19	Diaphragm Cover	Carbon Steel
20	Diaphragm Rubber	EPDM
21	Diaphragm Plate	Aluminum
22	Lift Bolt	Carbon Steel
23	Bushing	PTFE
24	Yoke	Ductile Iron
25	Lock Nut	Stainless Steel
26	Vent Plug	Plastic
27	Stopper(Optional)	Stainless Steel



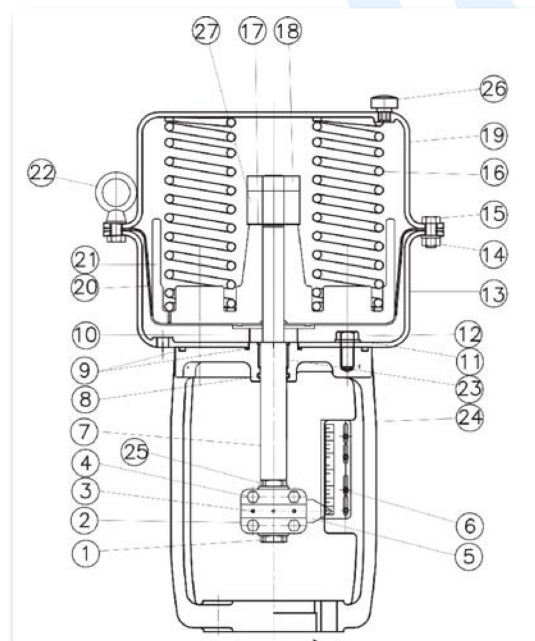
3 Specifications

Actuator Type	Multi-Spring Diaphragm Actuator					
Actuator Model	AO-3600					
Actuator Size	T-1	T-2	T-3	T-4	T-5	T-6
Stroke (mm)	20	25	38 / 50	50	100 / 130	130
Eff. Area (cm²)	270	350	515	725	1210	1905
Thrust (kgf)	256	332	489	688	1149	1810
Air Connections	1/4"NPT	1/4"NPT	1/4"NPT	1/2"NPT	1/2"NPT	1/2"NPT
Air Supply Range	Standard : 4.0kg/cm ² G, Range : 3.5~5.0kg/cm ² G					
Spring Range	1.0~3.0kg/cm ² G					
MAX./MIN.Working Pressure	10kgf/cm ² G		4kgf/cm ² G			
Action	Direct or Reverse					
Movement	Reciprocate, Rotary (with rotary box)					
Option	Hand Wheel, Positioner, Filter Regulator, Solenoid Valve, Limit Switches, Speed Controller, etc.					

4 Parts List



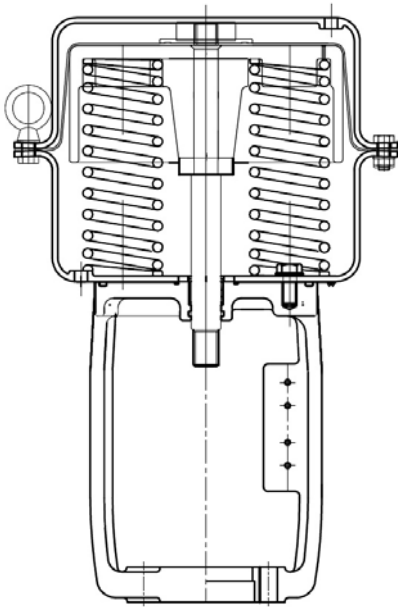
Direct : Air to close



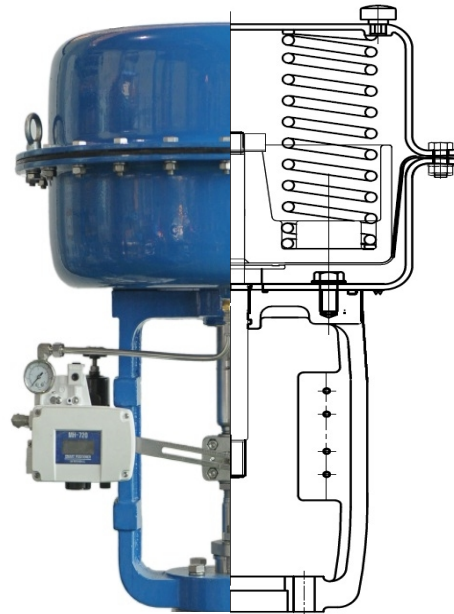
Reverse : Air to open

☞ See page 4 construction for details.

5 Actuator Acting

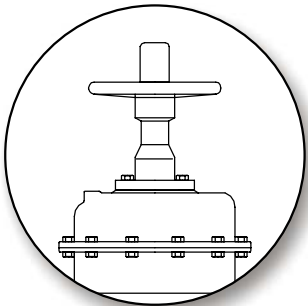


Cross sectional drawing
(Direct Acting)

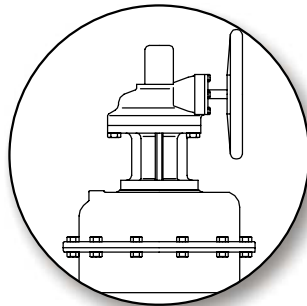


Cross sectional drawing
(Reverse Acting)

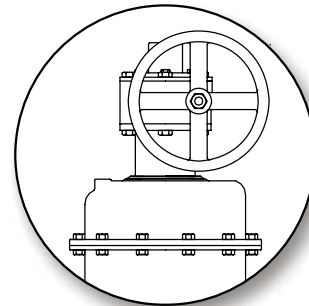
6 Hand Wheel



T-1

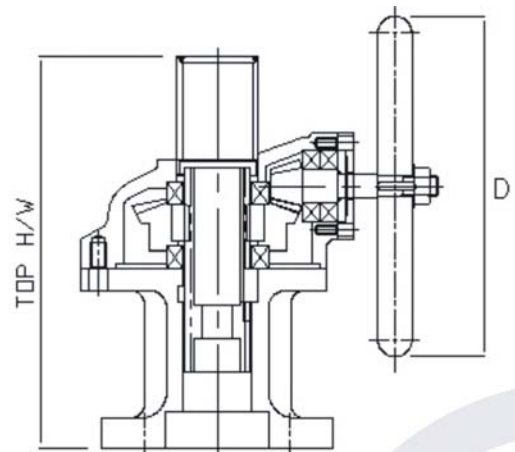
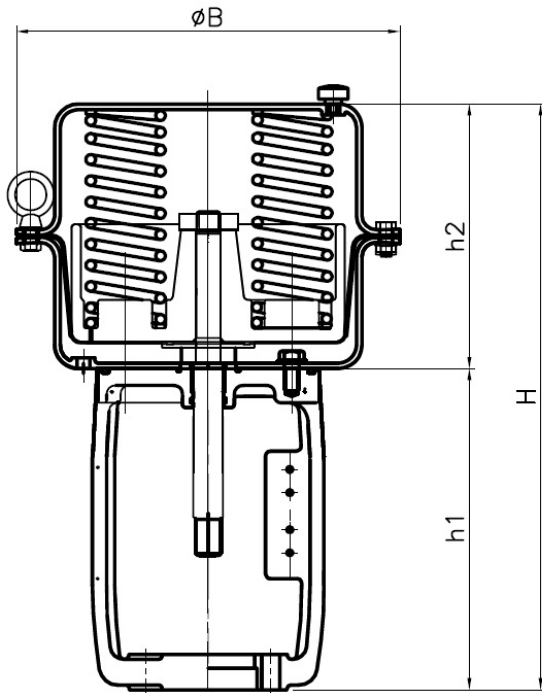


T-1, T-2



T-3, T-4, T-5, T-6

7 Dimensions



Standard Hand Wheel

Standard Diaphragm Actuator From T-1 to T-6

SIZE	ØB	h1	h2	H	H/W<D>	H/W<R>	STROKE	ØD
T-1	257	214	118	332	250	250	20	202
T-2	298	214	126	340	250	250	25	202
T-3	348	281 300	192	473 492	286	355	38 50	305
T-4	414	347	286	633	320	355	50	305
T-5	526	391	300	691	524 540	595	100 130	305
T-6	626	391	353	744	540	595	130	305



**ADD: #116-11, Geumgok-Dong, Seo-Gu,
Incheon City, Korea. (404-330)**

TEL: +82-32-568-2745

FAX: +82-32-568-2747

E-MAIL: info@komoto.co.kr

WEB: <http://www.komoto.co.kr>