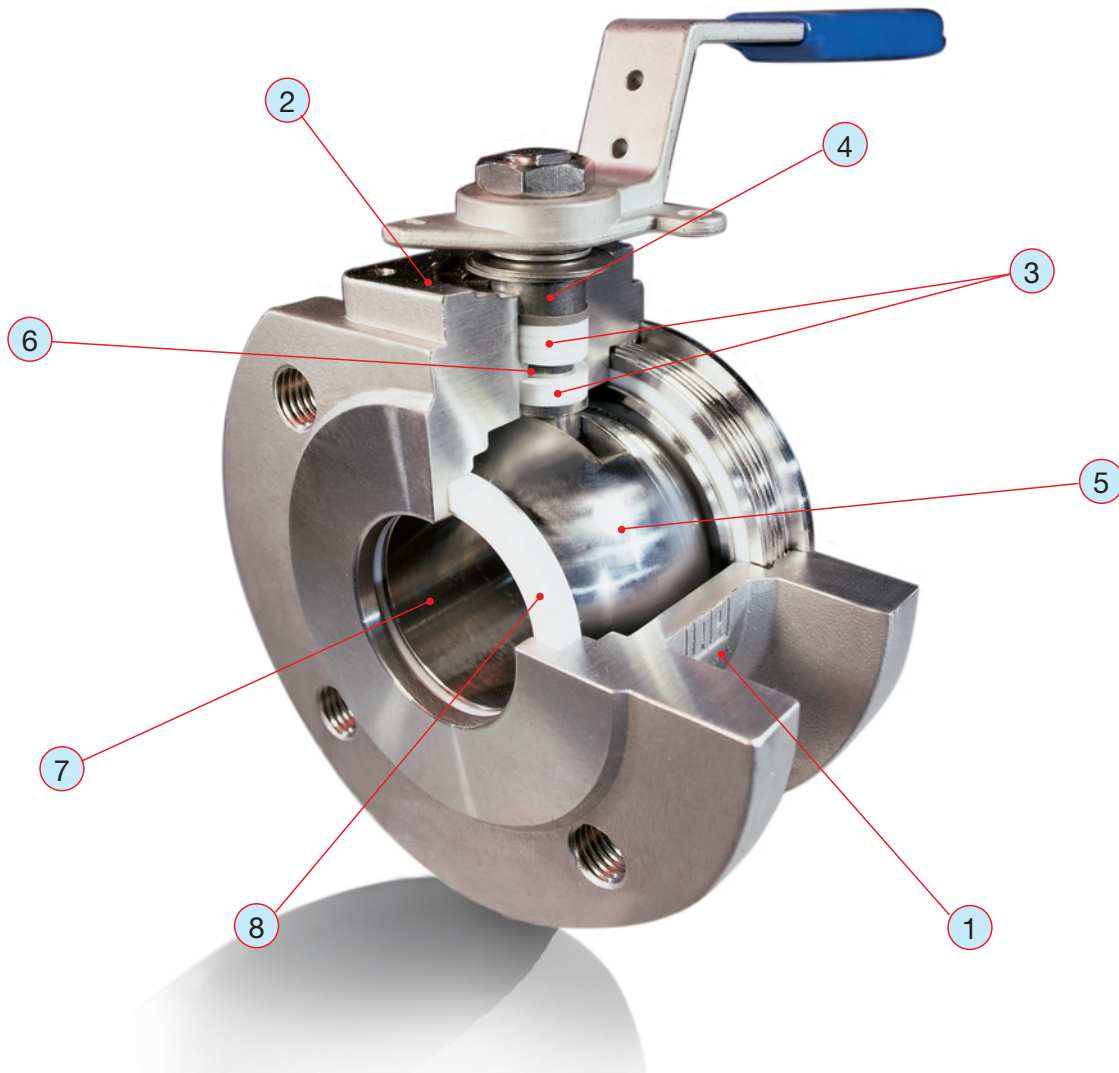


Technische Dokumentation Technical Documentation



XOMOX® **Metal ball valve Type KK**

DESIGN FEATURES



- 1 Compact, space-saving investment cast valve body.
- 2 Actuator assembly flange acc. to DIN ISO 5211.
Low torques permit economical actuator selection.
- 3 TA-Luft approved XOMOX S2 double sealing stem system is superior vs. conventional stem designs.
- 4 Blow-out proof stem for exceptional safety requirements.
- 5 Precision-machined super smooth ball surface prevents ball seal wear even at frequent valve operation.
- 6 Anti-static-device guarantees protection against electrostatic charges.
- 7 Full port design minimizes pressure loss and increases flow capacity.
- 8 Wide variety of ball seal designs and materials for critical process media and applications.
As standard, XOMOX offers compact ball valves up to DN 100 with PTFE ball seals.
From DN 125 all standard seals will be additionally equipped with reinforcement / support ring.
For specific working conditions resp. applications, **metal seals** are also available on request.

S2 – DOUBLE SEALING STEM DESIGN EMISSION-FREE FOR EXCEPTIONAL SAFETY REQUIREMENTS

TA-LUFT APPROVED

Maintenance-free, self-adjusting double sealing system

Design Benefits:

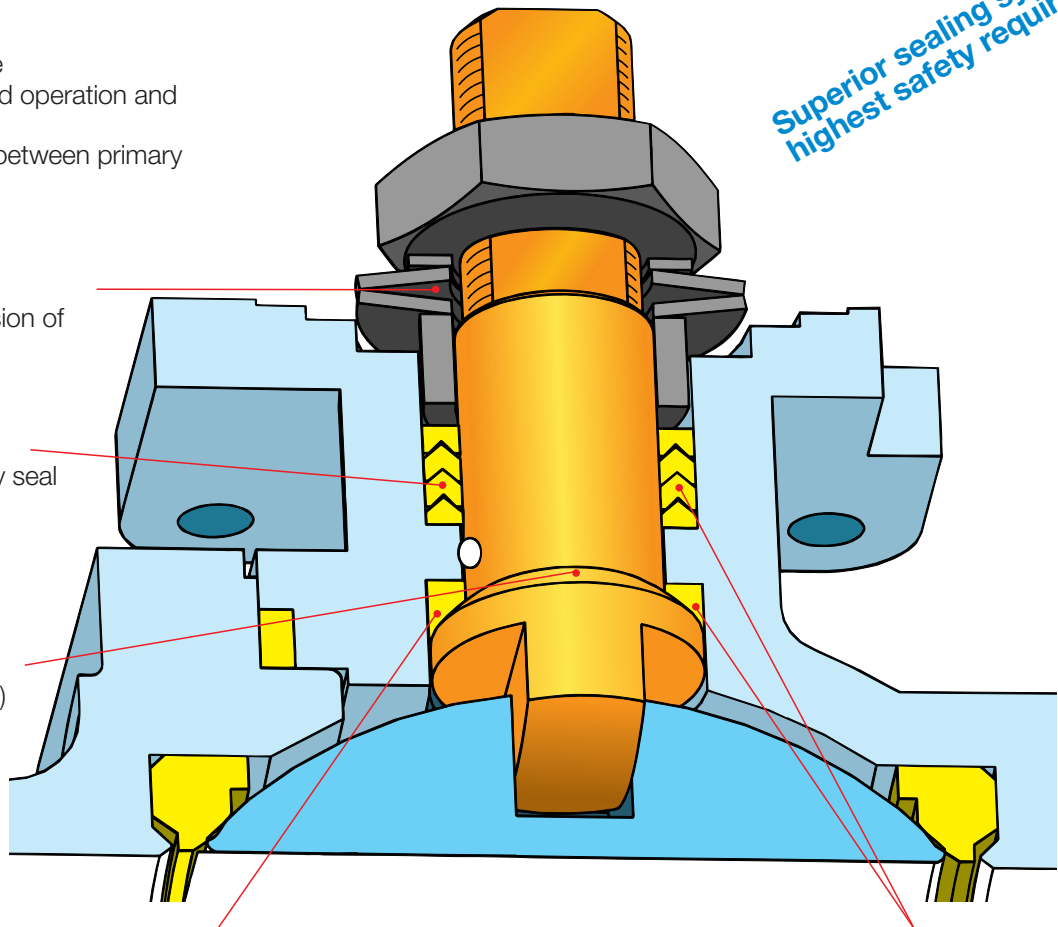
- No external leakage
- Significantly reduced operation and maintenance costs
- No media trapped between primary and secondary seal
- Low torque

Belleville washers for continuous compression of sealing elements

Extended V-ring packing as secondary seal

Spherical stem seal surface (Ball segment)

Efficient primary stem sealing by spherical segment ring (TA-Luft approved)



**Superior sealing system for
highest safety requirements**

Reliable S2 double sealing stem design (S2)

More than 3.3 million open-close cycles without external leakage to atmosphere (under standard design working conditions)

PN 10 - PN 40 DN 15 - 200



Design Features:

Investment cast body
Full bore design
Blow-out proof TA-Luft approved,
S2 stem design
Integral DIN ISO 5211 actuator
mounting pads

Face-to-face

Dimensions:

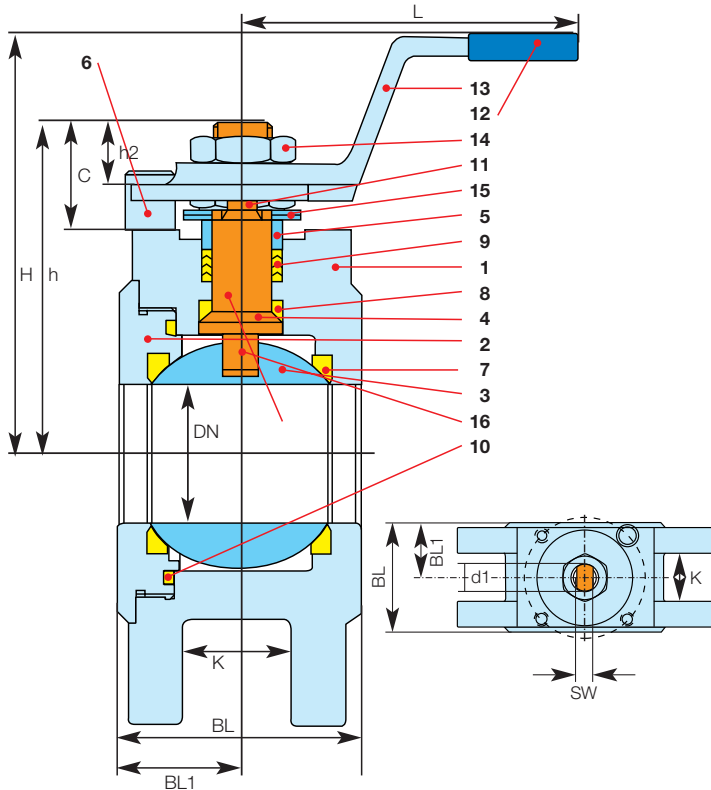
Compact

Pressure Ratings:

PN 10 - PN 40

Available Designs:

Type KK-ETE: 1.4408 acc. to
EN 10213-4



Pos.	Part description	Type KK-ETE
1	Body	1.4408
2	Cap	1.4408
3	Ball	1.4408
4	Stem	1.4401
5	Gland	1.4401
6	Stop pin	1.4301
7	Ball seal	PTFE
8	Spherical seal	PTFE
9	Stem packing	PTFE
10	Body seal	PTFE
11	Lock washer	1.4301
12	Handle sleeve	Plastic
13	Handle	1.4308
14	Hex handle nut	A2
15	Belleville spring washer	1.4310
16	Antistatic device	1.4310

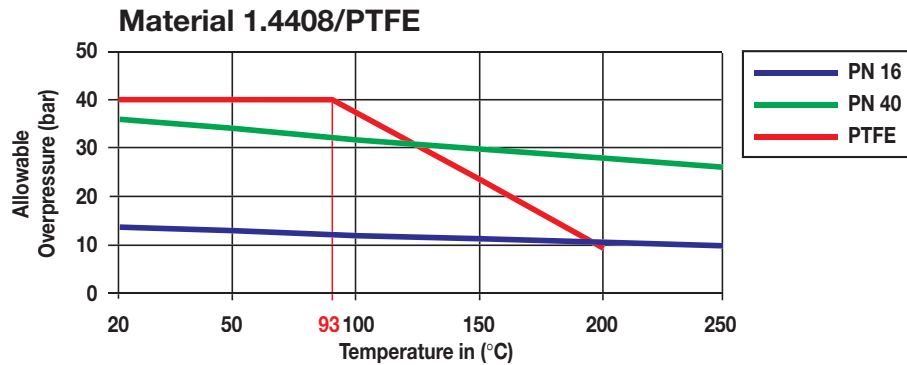
DN	PN	Face-to-face dim.	BL1	h	h2	H	K	L	C	SW	d1	DIN ISO 5211	Weight (kg)	Kva-values (m ³ /h)	Torques (Nm)*
15	10/40	40	20	57.5	12	87.5	8	135	18	6.3	9.5	F04	1.5	20	6
20	10/40	45	22.5	60.5	11	86	9	135	18	6.3	9.5	F04	2	35	6
25	10/40	50	25	72.5	12.5	97.5	14	165	20.5	8	11.1	F05	3	65	10
32	10/40	60	30	77	15	105	24	165	20.5	8	11.1	F05	4	**	12
40	10/40	65	32.5	89.5	15	117	29	200	24.5	9.5	15.6	F07	5	180	20
50	10/40	80	40	98.5	17	125.5	40	200	25	9.5	15.6	F07	7	320	35
65	10/16	110	55	132.5	28	161	50	250	40	17	22.2	F10	11.5	570	70
	25/40	110	55	132.5	28	161	50	250	40	17	22.2	F10	13	570	70
80	10/40	120	60	143.5	26.5	176.5	72	250	43	17	22.2	F10	15.8	850	115
100	10/16	150	75	168	25	186	70	375	45	17	28.6	F10	23	1420	210
	25/40	150	75	168	25	186	70	375	45	17	28.6	F10	25.6	1420	210

* Normally expected torques, in clean conditions, valid for lubricating process media, at max. allowable differential press (40 bar).

** On request.

Technical data DN 125 and above on request.

PRESSURE - TEMPERATURE RATINGS



Acc. to ISO 7005-1:1992 and EN 1092-1:1994

PRODUCT AND SEAL OPTIONS

Product options

On request our compact ball valves can be supplied in special body materials and as FIRESAFE design (acc. to API-607 and BS 6755).

Additional scope of supply:

Jacketed-, high pressure-, high temperature and cryogenic design, compact ball valves with stem extension and space filling (PTFE).

Seal options

Besides the standard seal made out of virgin or reinforced PTFE we offer a broad line of special soft and metal seals for different applications (e.g. high temperatures and pressures, corrosive and abrasive flow media). Packing material and body seals will get selected to meet the specific working conditions.

OPERATOR OPTIONS

Manual

Handle

As standard, all compact ball valves from DN 15 to DN 100 will be equipped with handle; gears are available as well.

Hand wheels

On request all compact ball valves up to DN 40 can be equipped with hand wheels.

Locking device for handles

On request, all compact ball valves can be supplied with a special locking device to avoid any accidental or non-authorized operation.

Automation

Actuators

All compact ball valves can be readily and inexpensively fitted with a variety of pneumatic, electrical or hydraulic actuators.

Actuator Accessories

XOMOX also supplies a complete line of actuator devices and accessories (limit switches, positioners, solenoid valves, etc.) to compliment your valving needs.

Crane Co., and its subsidiaries cannot accept responsibility for possible errors in catalogues, brochures, other printed materials, and website information. Crane Co. reserves the right to alter its products without notice, including products already on order provided that such alteration can be made without changes being necessary in specifications already agreed. All their trademarks in this material are property of the Crane Co. or its subsidiaries. The Crane and Crane brands logotype are registered trademarks of Crane Co. All rights reserved.